



Model 592 — Partition-Mounted

- Serves Two Compartments

Product Materials

CABINET: 22 gauge stainless steel with exposed surfaces in architectural satin finish. Welded construction with burr-free edges.

FLANGE: 22 gauge stainless steel with exposed surfaces in architectural satin finish. One-piece seamless construction, 1" wide with ¼" return.

DOOR: 18 gauge stainless steel with full-length piano hinge and tumbler lock keyed like other Bradley units.

SPINDLE: polyethylene, non-removable by user.

Capacity

Toilet Seat Cover Dispensers — 1,000 standard single-fold or half-fold toilet seat covers; Toilet Tissue Dispensers — four standard core toilet tissue rolls through 5¼" in diameter.

Operation

Hinged access door permits servicing of components from one side.

Installation

Verify all rough-in dimensions prior to installation. Requires partition opening 15⅝"W x 28⅞"H. (Location of hole and dimensions should be noted in partition specifications.) Flanges adjustable for partitions from ⅜" to 2¾" thick. Remove one flange and install cabinet in partition opening flush against partition. Position flanges on both sides of cabinet and secure with mounting screws (included) at holes provided.

Guide Specification

Partition-mounted combination unit shall include toilet seat cover dispenser and toilet tissue dispenser and be fabricated of heavy gauge stainless steel with seamless exposed surfaces in satin finish. Door and back panel shall be 18 gauge. Door shall have piano hinge and tumbler locks.

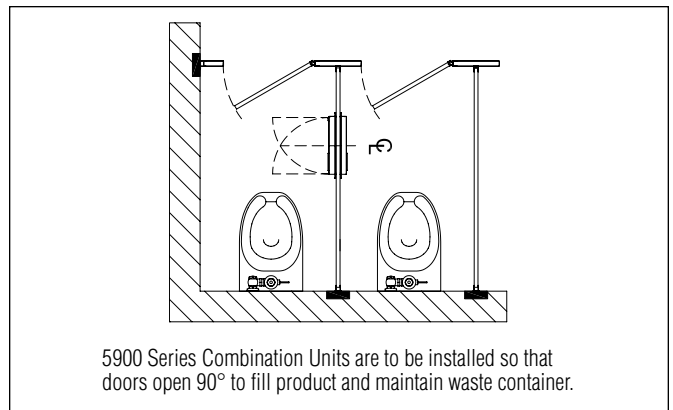
Overall dimensions: 17⅞"W x 30⅝"H x 4½"D.

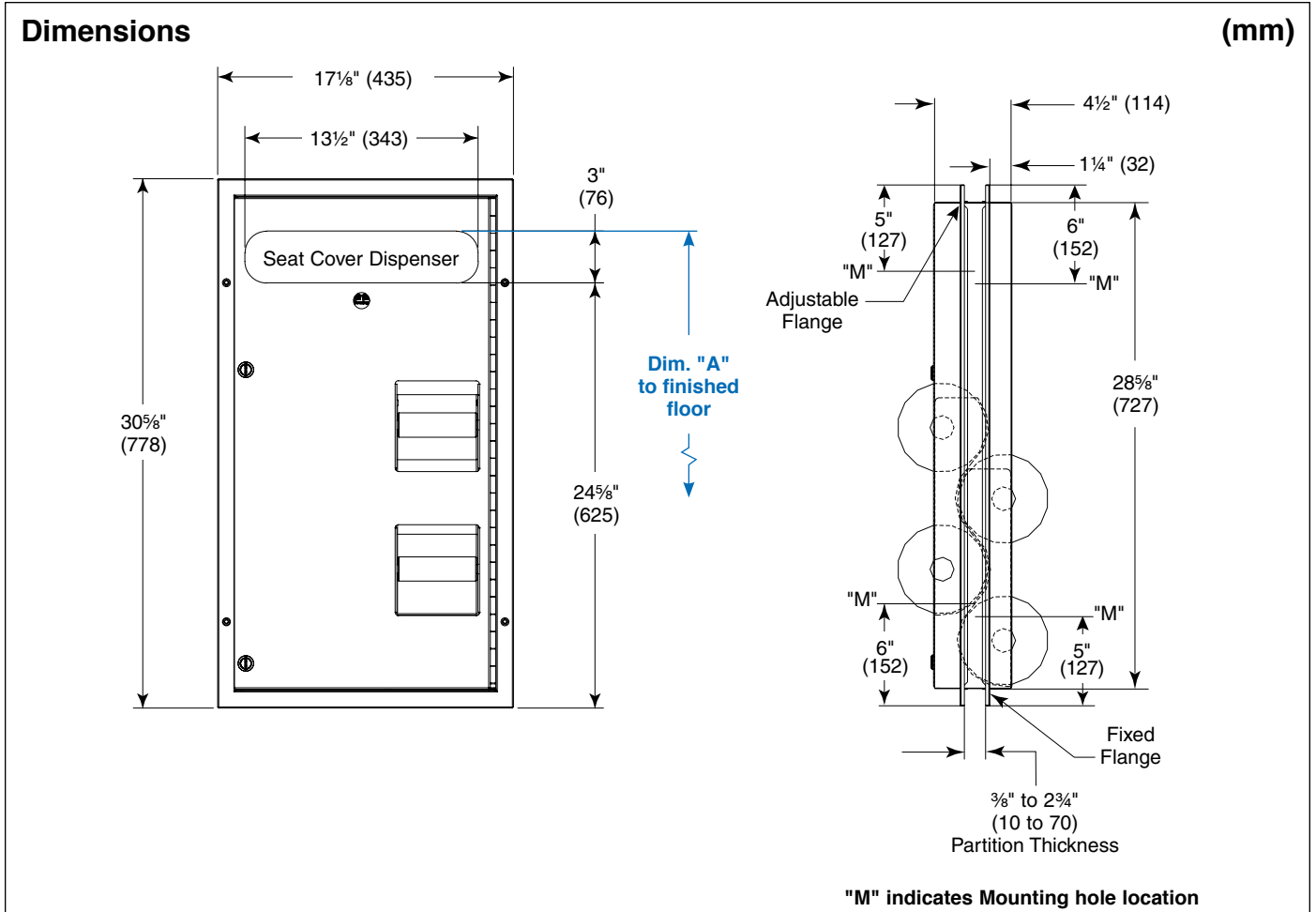
Product Compliance

- ICC ANSI A117.1, Citation 609.3



- Consult local and national accessibility codes for proper installation guidelines.
- Conformity and compliance to local and national codes is the responsibility of the installer.





Dim. "A" Key Surface:	For Dim. "A"	Top of Rough Wall Opening	Bottom of Rough Wall Opening	For Bottom Toilet Paper Opening Lower Lip @ Dim. "A"
Top of seat cover opening to finished floor	48" (1219)	49 1/2" (1257)	20 5/8" (524)	19 15/16" (506)
	45" (1143)	46 1/2" (1181)	17 7/8" (448)	16 15/16" (430)
	42" (1067)	43 1/2" (1105)	14 5/8" (371)	13 15/16" (354)
	40" (1016)	41 1/2" (1054)	12 5/8" (321)	11 15/16" (303)
Rough wall opening:				
Partition-Mount:	15 3/8" (391) Wide x 28 7/8" (734) High x Partition Thickness			