



Model 5234 – Partition-Mounted *Bradex*[®]
Model 5235 – Partition-Mounted *Bradex*[®]



- Non-Controlled Delivery
- Dual Roll (For Single Roll see Models 5084 and 5085)

Product Materials

POSTS: 22 gauge stainless steel with exposed surfaces in architectural satin finish (Model 5234) or bright polish finish (Model 5235).
ESCUTCHEONS: heavy stainless steel with exposed surfaces in architectural satin finish (Model 5234) or bright polish finish (Model 5235).
SPINDLES: chrome-plated plastic.
MOUNTING BRACKET: 18 gauge stainless steel.



Capacity

Two standard core toilet tissue rolls through 5½" in diameter.

Operation

Concealed spring permits spindle to telescope for servicing. Spindle turns freely for non-controlled delivery.

Installation

Verify all rough-in dimensions prior to installation. Secure concealed wall mounting bracket to wall with screws (included) at holes provided. Mount projecting arms and escutcheons to bracket and secure with concealed locking screw. Snap escutcheons into place.

Guide Specification

Model 5234: Surface-mounted dual roll toilet tissue dispenser shall be heavy gauge stainless steel with satin finish and hold two standard core toilet tissue rolls.
Model 5235: Surface-mounted dual roll toilet tissue dispenser shall be heavy gauge stainless steel with bright polish finish and hold two standard core toilet tissue rolls.
Overall dimensions: 13"W x 2"H x 3¾"D.

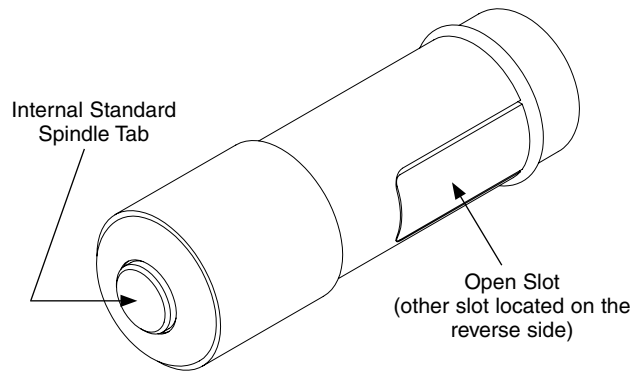
Optional Features

Feature	Suffix
Anti-Theft Spindle	-52
Domestic (5234 and 5235)	-US

ADA Compliant

- Consult local and national accessibility codes for proper installation guidelines.
- Conformity and compliance to local and national codes is the responsibility of the installer.

- To remove the anti-theft spindle, tear toilet paper roll core off of the spindle. Use the open slots to pull back the encased spindle.



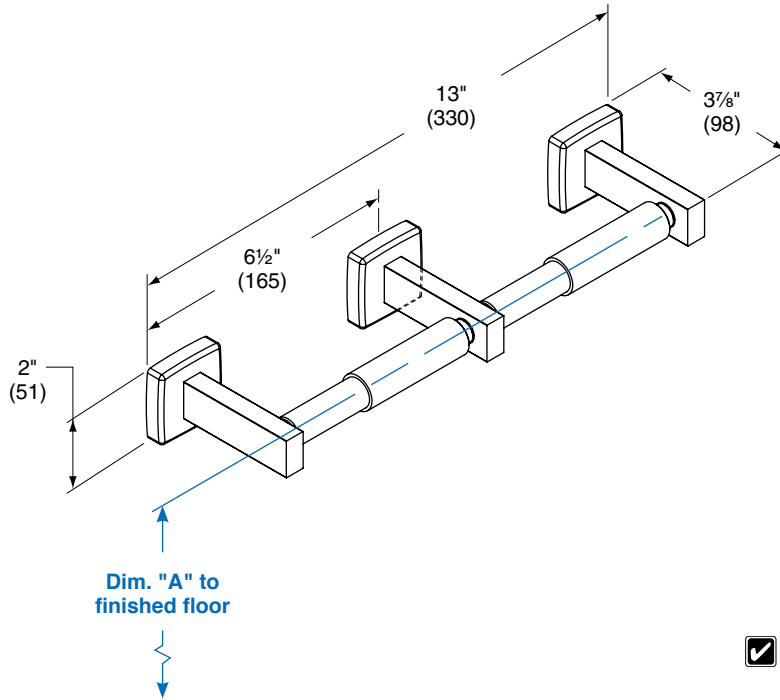
Anti-theft spindle dimensions: 4.25"L x 1.38"W.

Orders composed of products indicated as **Bradex**[®] will be available to ship in three days after receipt of order at the factory. There is no pricing penalty for this service from Bradley.



Dimensions

(mm)



Dimensions on US models may differ slightly from standard models, however this will not affect installation.

Dim. "A" Key Surface:	For Dim. "A"	Top of Unit	Bottom of Unit
Centerline of spindle to finished floor (bottom edge of paper roll 3" below centerline of spindle)	23" (584)	24" (610)	22" (559)
	22" (559)	23" (584)	21" (533)
	21" (533)	22" (559)	20" (508)
	20" (508)	21" (533)	19" (483)
	19" (483)	20" (508)	18" (457)
	18" (457)	19" (483)	17" (432)
Rough wall opening:			
Surface Mount:	No rough opening, see overall dimensions		

Orders composed of products indicated as **Bradex**® will be available to ship in three days after receipt of order at the factory. There is no pricing penalty for this service from Bradley.