



2905-2873

Sensor-Operated Warm Air Hand Dryer

2905-287300 — Standard (110–120 volt, 13.6 amps, 60 Hz –White) Bradex®

2905-2873CE — European Export (220–220 volt, 7 amps, 50 Hz – White) Bradex®

Recommended for low to mid traffic areas; not recommended for high vandal-prone areas.

Product Materials

Cover: 3/4" (1.9mm) thick steel one-piece cover with white epoxy coating. Cover fixed to the base with four Allen-head screws.

Motor: durable, maintenance-free shaded pole motor with safety thermostat and self-resetting thermal cut-off at 266°F (130°C). PP UL94-V0 with single inlet fan wheel.

Heating Element: waved wire NiCr 40 heating element that incorporates a self-resetting thermal cut-off at 158°F (70°C).

Electronic Control: two distances (15/25 cm) IR electronic detection sensor with zamak air outlet grill.

Base Plate: thermoplastic ABS UL 94-V0 base and single-inlet centrifugal scroll fan; with four 5/16" (8 mm) holes for wall mounting.

Installation

Verify all rough-in dimensions prior to installation. Hand dryers require a dedicated circuit and must be properly grounded. GFI Circuit protection is recommended. One side of dryer should be mounted to a stud.

Operation

Place hands 3"–6" below air outlet grill to activate air flow. Dryer will stop two seconds after hands are removed from air flow.

Product Compliance

- G Mark (only applies to the 2905-2873CE model)



- UL electrical components



Guide Specification

Surface-mounted hand dryer shall be fabricated from one-piece 3/4" (1.9 mm) thick steel. Cover shall have a white epoxy coating. Back base shall be fire-resistant plastic ABS UL 94-V0. Dryer shall be fitted with an infrared electronic sensor, zamak air outlet grill and shaded pole motor with safety thermostat and self-resetting thermal cut-off at 266°F (130°C). Dryer shall operate at 60 dB while delivering 194 CFM of air at 125.6°F (52°C) and 4,181 LFM during user-controlled drying cycle. Dryer shall have a total power of 1,640 W (2.2 Hp) with a consumption of 13.6A (2905-2873) or 7A (2905-2873CE).

Overall dimensions: 11 7/8"H x 10 1/16"W x 5 1/2"D (302 mm x 256 mm x 140 mm)

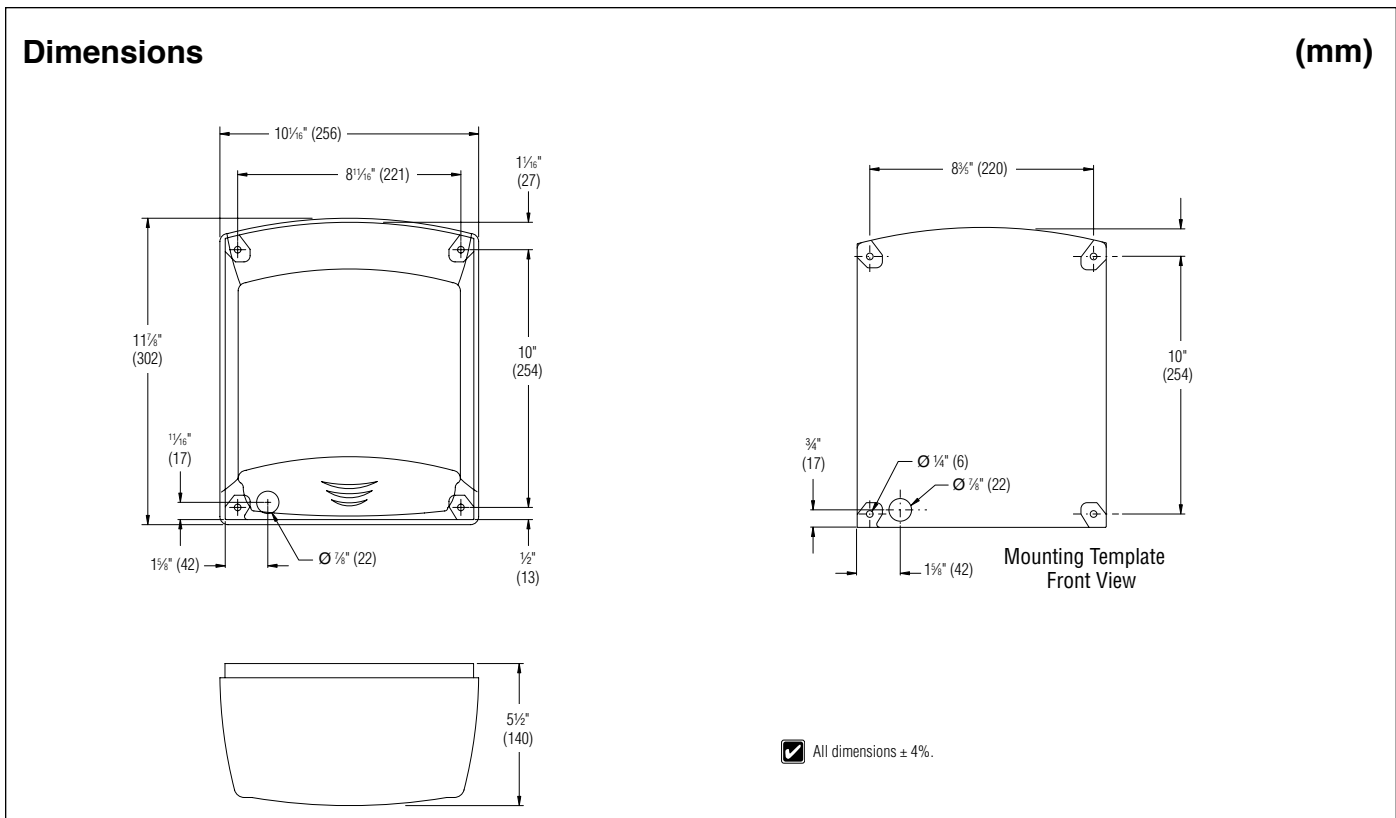
Weight: 9.8 lb (4,45 kg)

Orders composed of products indicated as Bradex® will be available to ship in three days after receipt of order at the factory. There is no pricing penalty for this service from Bradley.



Product Specifications

Voltage:	2905-2873 — 110-120 V 2905-2873CE — 220-240 V)	Consumption:	2905-2873 — 13.6A 2905-2873CE — 7A
Motor:	1/5 HP (140W)	RPM:	3,300
Nominal power:	1,640 W (2.2 Hp)	Heating element:	1,500 W (2 Hp)
Effective airflow:	166 CFM	Nominal airflow:	194 CFM
Noise level at 79":	60 dB	Airspeed:	4,181 LFM
Frequency:	50/60 Hz	Insulation:	Grounding required
Temperature (at 4" distance / 70°F):	125.6°F (52°C)	Certificates:	2905-2873 — UL 499/CSA C22.2 2905-2873CE — VDE GS/VDE EMC/CE GOST
Drying time:	38 seconds	Mounting:	Surface



Orders composed of products indicated as **Bradex**® will be available to ship in three days after receipt of order at the factory. There is no pricing penalty for this service from Bradley.