



**Model 250-33 — Surface-Mounted**

- C-Fold/Multi-Fold Towels
- White Enamel Finish

**Product Materials**

**UNIT:** 20 gauge electrolytically coated corrosion-resistant steel with white baked enamel finish. Smooth corners, free of burrs and sharp edges. Tumbler lock at rear of top. Cabinet hinged at bottom to allow easy filling. Refill indicator slot on face of cabinet. Rolled edge on dispenser opening.

**Capacity**

525 multi-fold or 400 C-fold paper towels.

**Operation**

Unit holds multi-fold or C-fold towels without use of special adapter.

**Installation**

Verify all rough-in dimensions prior to installation. Secure to wall with mounting screws (not included) at holes provided. Mounting kit (#899-027) available through Bradley. Visit [bradleycorp.com](http://bradleycorp.com) for more information. Provide in-wall backing at mounting screw locations.

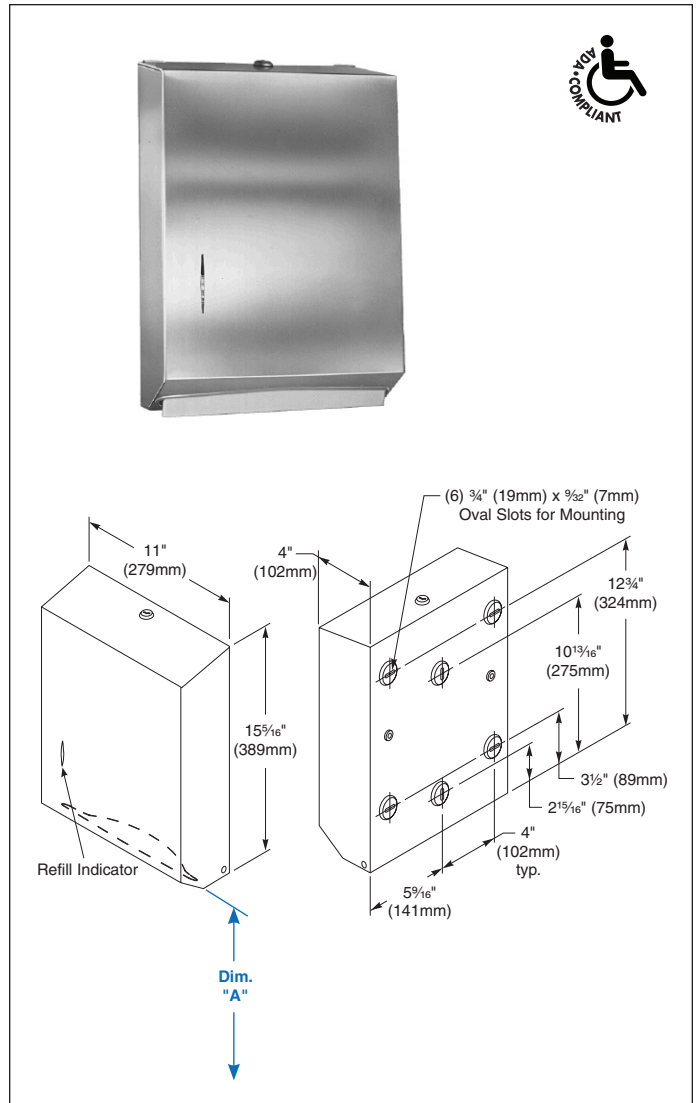
**Guide Specification**

Surface-mounted towel dispenser shall be fabricated of 20 gauge electrolytically coated corrosion-resistant steel with white baked enamel finish. Refill indicator on face of cabinet. Tumbler lock to secure hinged front cabinet. Towel dispenser capacity 500 multi-fold or 300 C-fold towels.

**Overall dimensions: 11"W x 15¼"H x 4"D.**

**ADA Compliant**

- Consult local and national accessibility codes for proper installation guidelines.
- Conformity and compliance to local and national codes is the responsibility of the installer.



<b>Dim. "A" Key Surface:</b>	For Dim. "A"	Top of Unit	Bottom of Unit
<b>Paper towel top of opening to finished floor</b>	48" (1219mm)	62½" (1588mm)	47¼" (1200mm)
	45" (1143mm)	59½" (1511mm)	44¼" (1124mm)
	42" (1067mm)	56½" (1435mm)	41¼" (1048mm)
	40" (1016mm)	54½" (1384mm)	39¼" (997mm)
<b>Rough wall opening:</b>			
Surface Mount:	No rough opening, see overall dimensions		