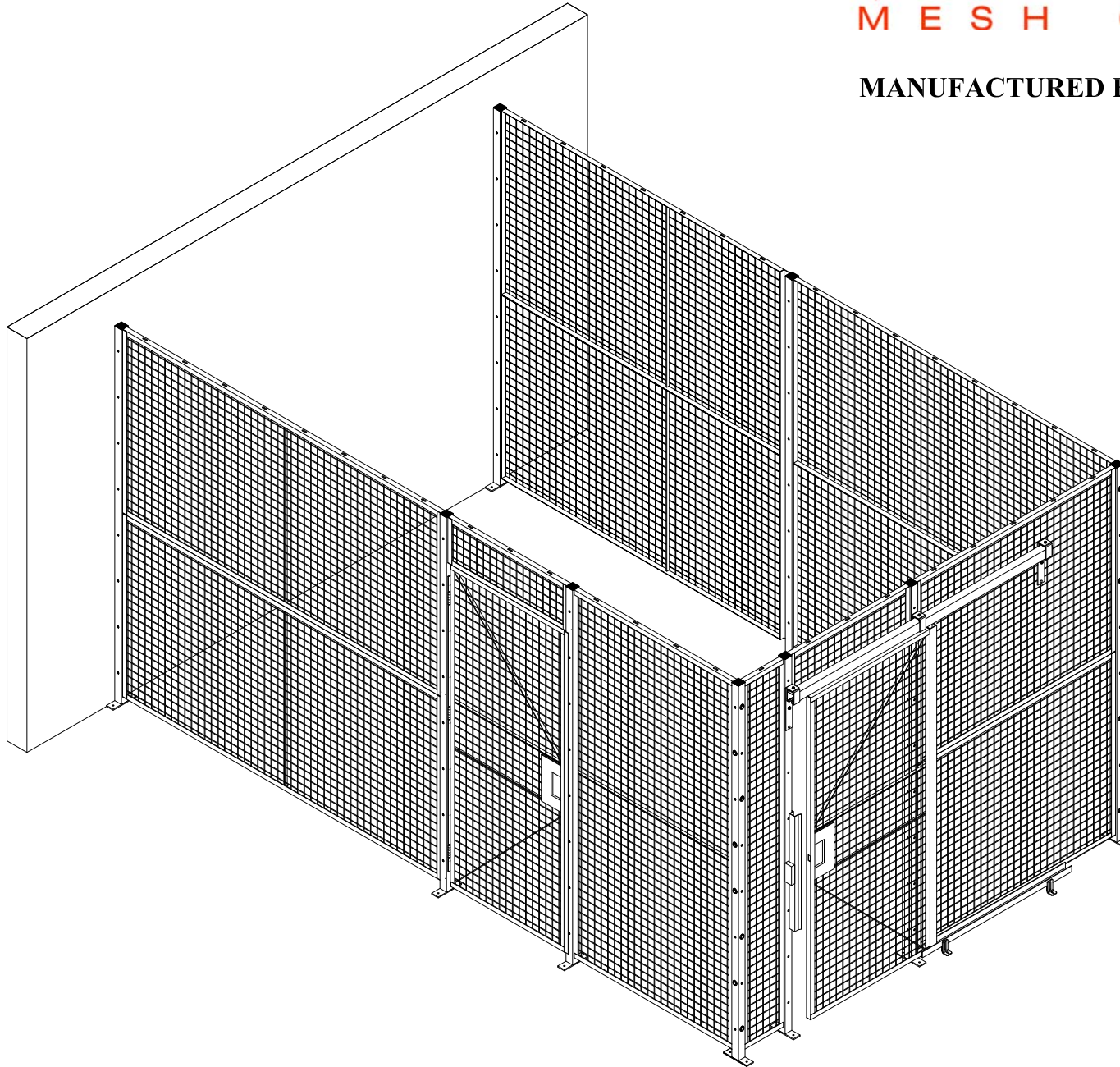


STANDARD WIRE PARTITION INSTALLATION DETAILS

BEASTWIRE
MESH GUARDING

MANUFACTURED BY SPACEGUARD PRODUCTS



GETTING STARTED WITH YOUR BEASTWIRE MESH LOCKERS

BEFORE YOU BEGIN INSTALLATION YOU MUST:

- **IDENTIFY** this label... contains packing slip
- **INSPECT** for damages before taking delivery
- **INVENTORY** for shortages
- **CONTACT** manufacturer immediately if damages or shortages are present



RECOMMENDED TOOLS:

- Crowbar, tin snips & utility knife
- Tape measure, level, & chalk line
- Ladder(s) & extension cords
- Locking C-clamps & pliers
- Saw w/ blade for cutting metal
- Impact driver w/ SAE deep well sockets
- Hammer drill w/ several new bits, appropriate for flooring
- Screwdriver set
- SAE Allen wrench set
- Rubber mallet

RECOMMENDED MATERIALS (not supplied):

- Steel angle for bracing and filling gaps at walls
- Washers or other materials suitable for leveling units
- Floor anchors, if concrete expansion anchors cannot be used
- Wall anchors, specific to the jobsite
- 2" block/spacer to set sweep space below panels

BeastWire Mesh Partitions

Manufactured by SpaceGuard Products
Call (800) 841-0680, Mon-Fri 8am-5pm ET

UNLEASHING BEASTWIRE:

BeastWire Mesh Partitions are designed to use standard components to make materials more affordable, available, and easier to install. Our partitions use all through, carriage bolt connections with hardware on the secure side of the enclosure. Main features:

- **UNIVERSAL POST:** the same post is used for all standard, in-line, door, corner, and 3 & 4-way connections
- **INTRODUCING THE GROWTH PLATE :** 2" roll formed channel to offset post growth in both walls and ceilings to eliminate special panel sizes; also, eliminates sweep space for high security applications
- **FLEXIBLE HINGE DOORS:** our hinge door swings in or out, from the left or right, works with both lock or padlock setups, and keyed locks come with an adjustable slam angle for maximum security

HELPFUL HINTS:

- **AVOID** storing materials outside or exposed to moisture
- **REMEASURE** the space before building your enclosure(s)
- **CHALK** the space in advance to help line up posts
- **PLAN** for overhead obstructions that require cut outs prior to construction
- **BUILD** the entire cage first, and hang your door(s) last
- **ANCHOR** units only after ensuring the system is plumb and level
- **HANG** your door(s) and locking mechanisms
- **PLUG** all remaining holes in posts with black dome plugs provided
- **TOUCH UP** using factory supplied paint; follow directions on can
- **ADMIRE** your work and the fact you purchased a quality product

INDEX

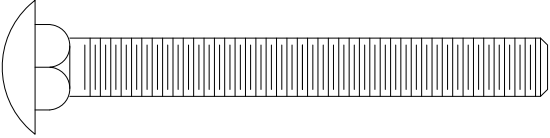
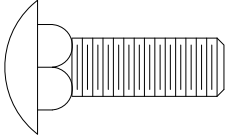
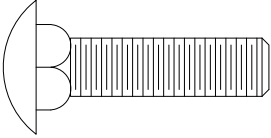
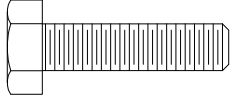
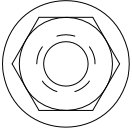
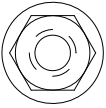
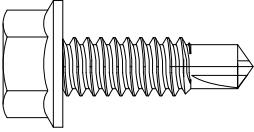
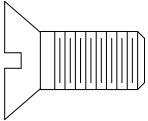
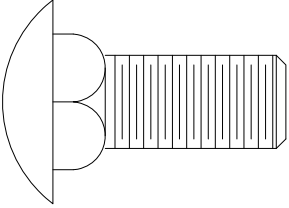
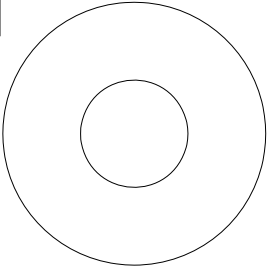
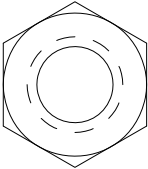
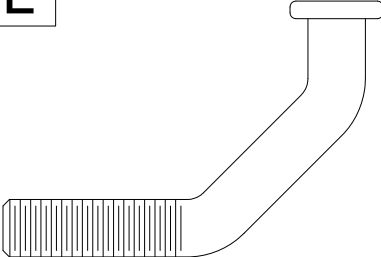
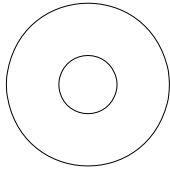
HARDWARE	4	SERVICE WINDOW	25
IN LINE CONNECTIONS	6	CEILINGS	26
CORNER CONNECTIONS.....	8	INTERMEDIATE BEAM SUPPORT POST	28
TRANSOM CONNECTIONS	9	WALL CONNECTIONS	29
HINGE DOORS.....	11		
SLIDE DOORS (TRANSOM STYLE).....	16		
SLIDE DOORS (FULL HEIGHT).....	18		
SQUARE WASHER MOUNTING.....	20		
POST EXTENSIONS	21		
GROWTH PLATE.....	22		
FLEX PANEL.....	24		

BeastWire Mesh Partitions

Manufactured by SpaceGuard Products
Call (800) 841-0680, Mon-Fri 8am-5pm ET

www.BeastWireMesh.com

HARDWARE

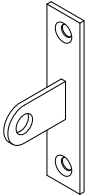
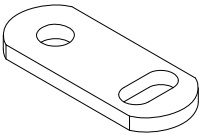
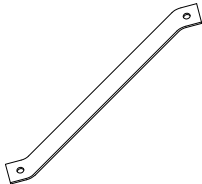
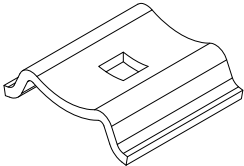
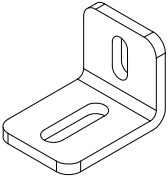
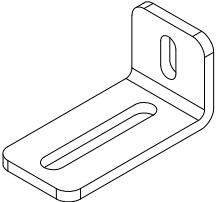
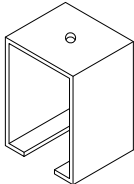
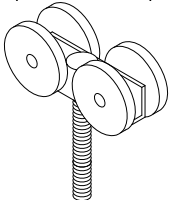
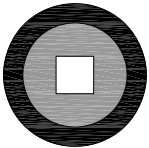

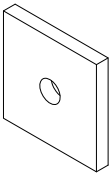
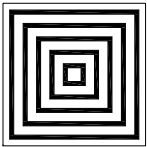
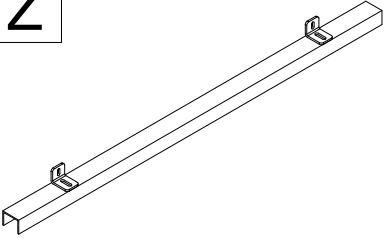
A  Carriage Bolt 5/16" X 2-3/4"	B  Carriage Bolt 5/16" X 1"	C  Carriage Bolt 5/16" X 1-1/4"	D  Hex Head Bolt 5/16" X 1"	
E  Flanged Hex Nut 5/16"	F  Flanged Hex Nut 1/4"	G  Self Tapping Screw 5/16" X 1"	H  Flat Head Screw 1/4" X 3/4"	I  Carriage Bolt 1/2" X 1 1/4"
J  Flat Washer 1/2"	K  Hex Nut 1/2"	L  5/16" Angle Bolt	M  Flat Washer 5/16"	

BeastWire Mesh Partitions

Manufactured by SpaceGuard Products
Call (800) 841-0680, Mon-Fri 8am-5pm ET

www.BeastWireMesh.com

HARDWARE

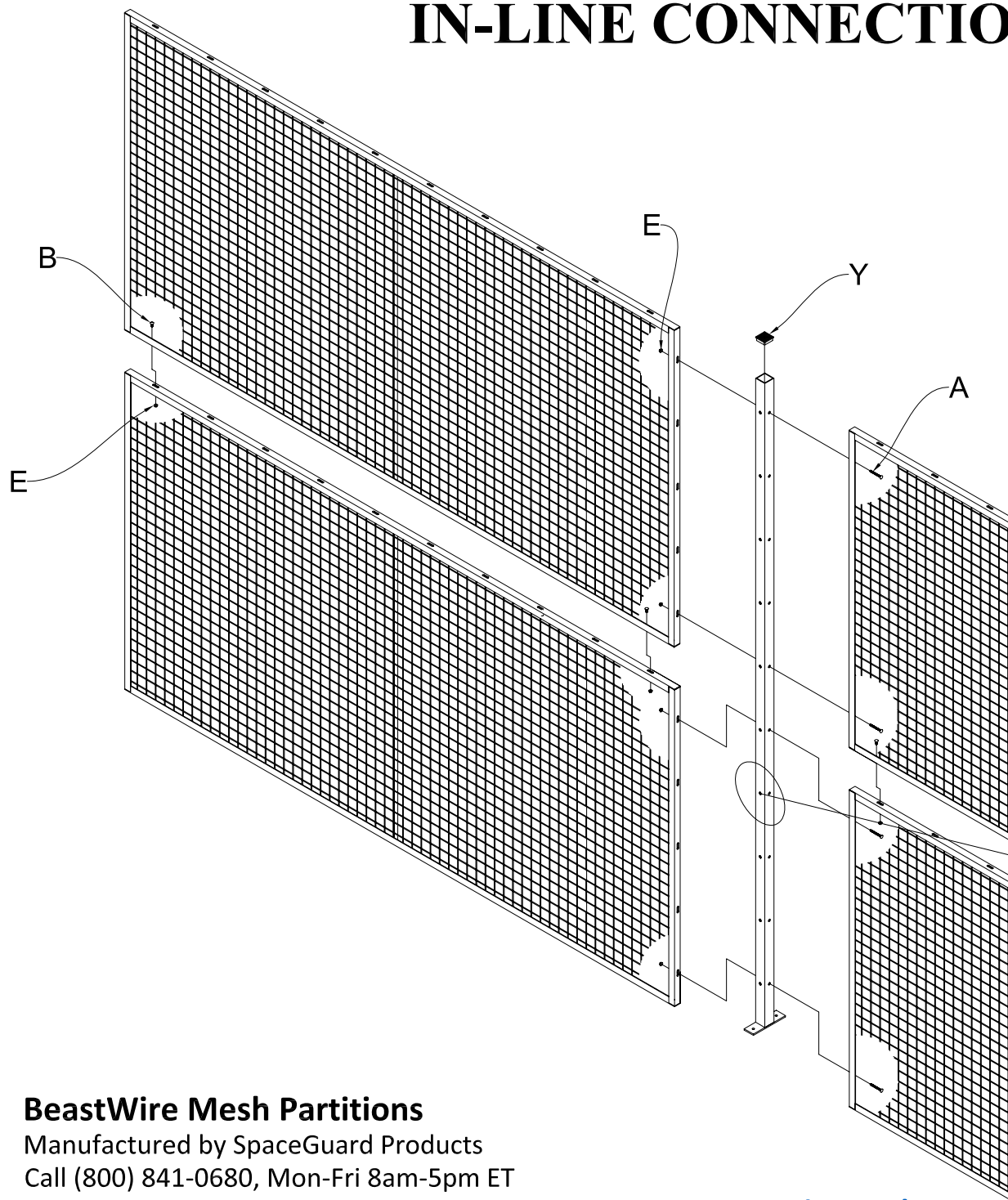
<p>N (Not to scale)</p>  <p>Padlock Receiver</p>	<p>O (Not to scale)</p>  <p>Padlock Lug</p>	<p>P (Not to scale)</p>  <p>Shelf Support Bracket</p>	<p>Q (Not to scale)</p>  <p>Track Clamp</p>
<p>R (Not to scale)</p>  <p>1-1/2" X 2" Angle Bracket</p>	<p>S (Not to scale)</p>  <p>1-1/2" X 3" Angle Bracket</p>	<p>T (Not to scale)</p>  <p>Track Bracket</p>	<p>U (Not to scale)</p>  <p>4 Wheel Trolley</p>
<p>V (Not to scale)</p>  <p>5/16" Carriage Adaptor</p>	<p>W (Not to scale)</p>  <p>5/16" Dome Plug</p>	<p>X (Not to scale)</p>  <p>2" Square Washer</p>	<p>Y (Not to scale)</p>  <p>2" Post Cap</p>
<p>Z</p>  <p>Slide Door Guide</p>			

BeastWire Mesh Partitions

Manufactured by SpaceGuard Products
 Call (800) 841-0680, Mon-Fri 8am-5pm ET

www.BeastWireMesh.com

IN-LINE CONNECTIONS



1. Bolt panel to panel through post using A & E. Only 2 bolts per panel are provided.

2. Bolt top panel to bottom panel using B & E. Only 2 bolts per panel are provided.

3. Insert Y into the top of the post (**If partition exceeds stock height, complete instructions on Pg. 19 before completing this step.)

4. After all of partition is set up, Insert W into remaining open holes. (Note: **Delay this step** due to potential Three Way intersections, Door brackets, etc. **Dome Plugs by design are difficult to remove.**)

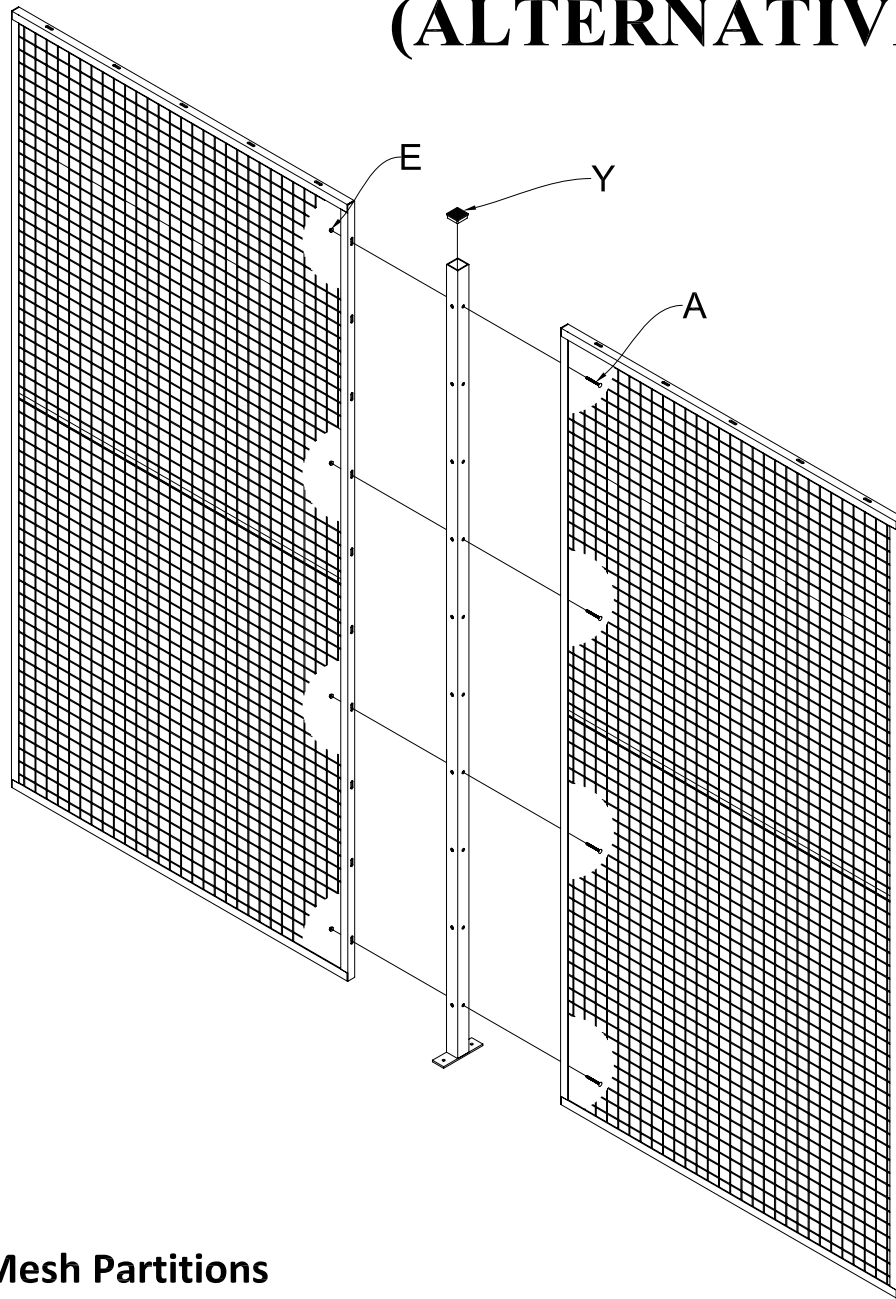
BeastWire Mesh Partitions

Manufactured by SpaceGuard Products

Call (800) 841-0680, Mon-Fri 8am-5pm ET

www.BeastWireMesh.com

IN-LINE CONNECTIONS (ALTERNATIVE)



1. Bolt panel to panel through post using A & E. 4 bolts per panel are provided.

2. After all of partition is set up, Insert W into remaining open holes. (Note: **Delay this step** due to potential Three Way intersections, Door brackets, etc. **Dome Plugs by design are difficult to remove.**)

BeastWire Mesh Partitions

Manufactured by SpaceGuard Products

Call (800) 841-0680, Mon-Fri 8am-5pm ET

www.BeastWireMesh.com

Page 7

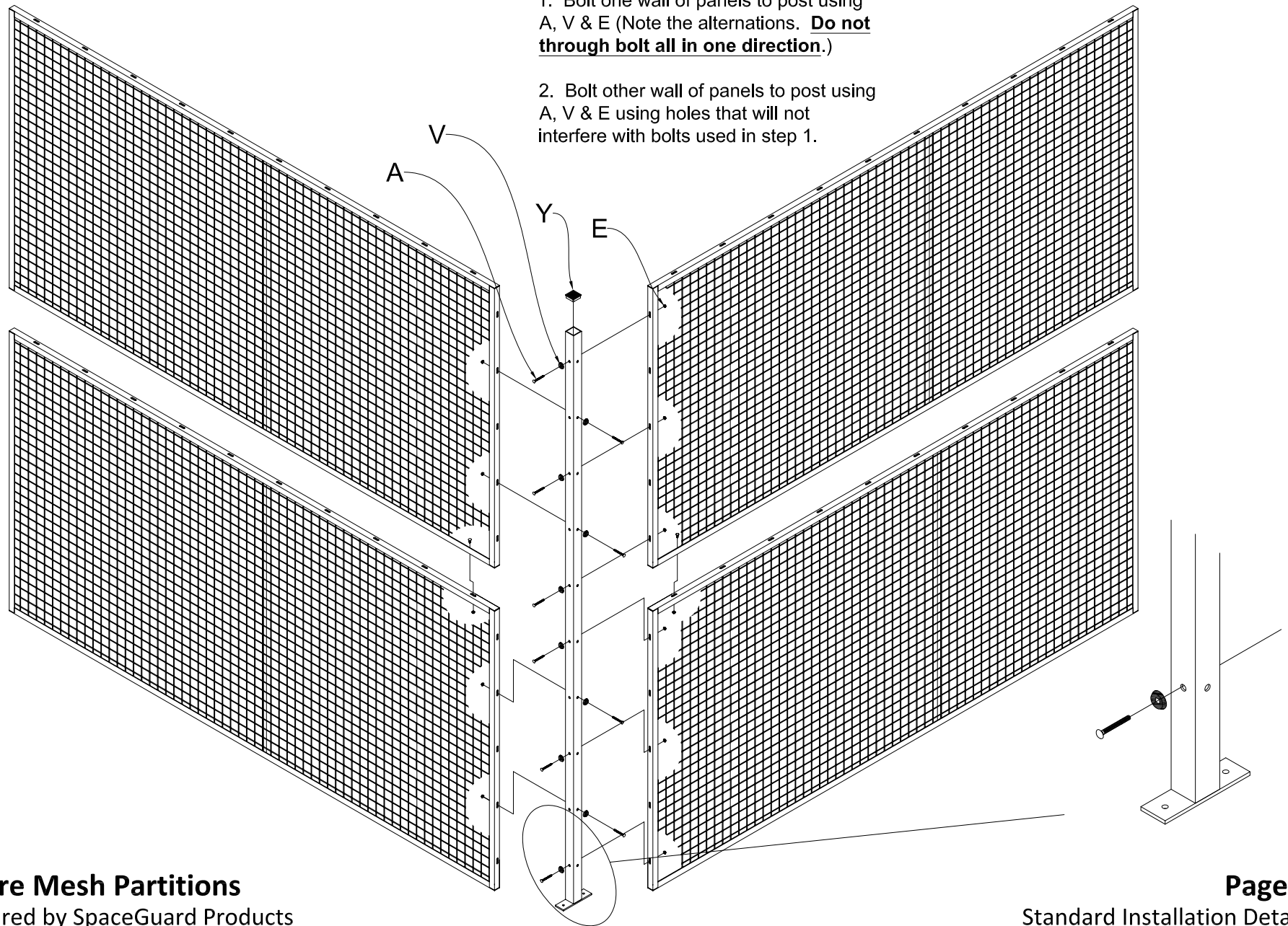
Standard Installation Details

Updated 2/25/2016

CORNER CONNECTION

1. Bolt one wall of panels to post using A, V & E (Note the alternations. **Do not through bolt all in one direction.**)

2. Bolt other wall of panels to post using A, V & E using holes that will not interfere with bolts used in step 1.



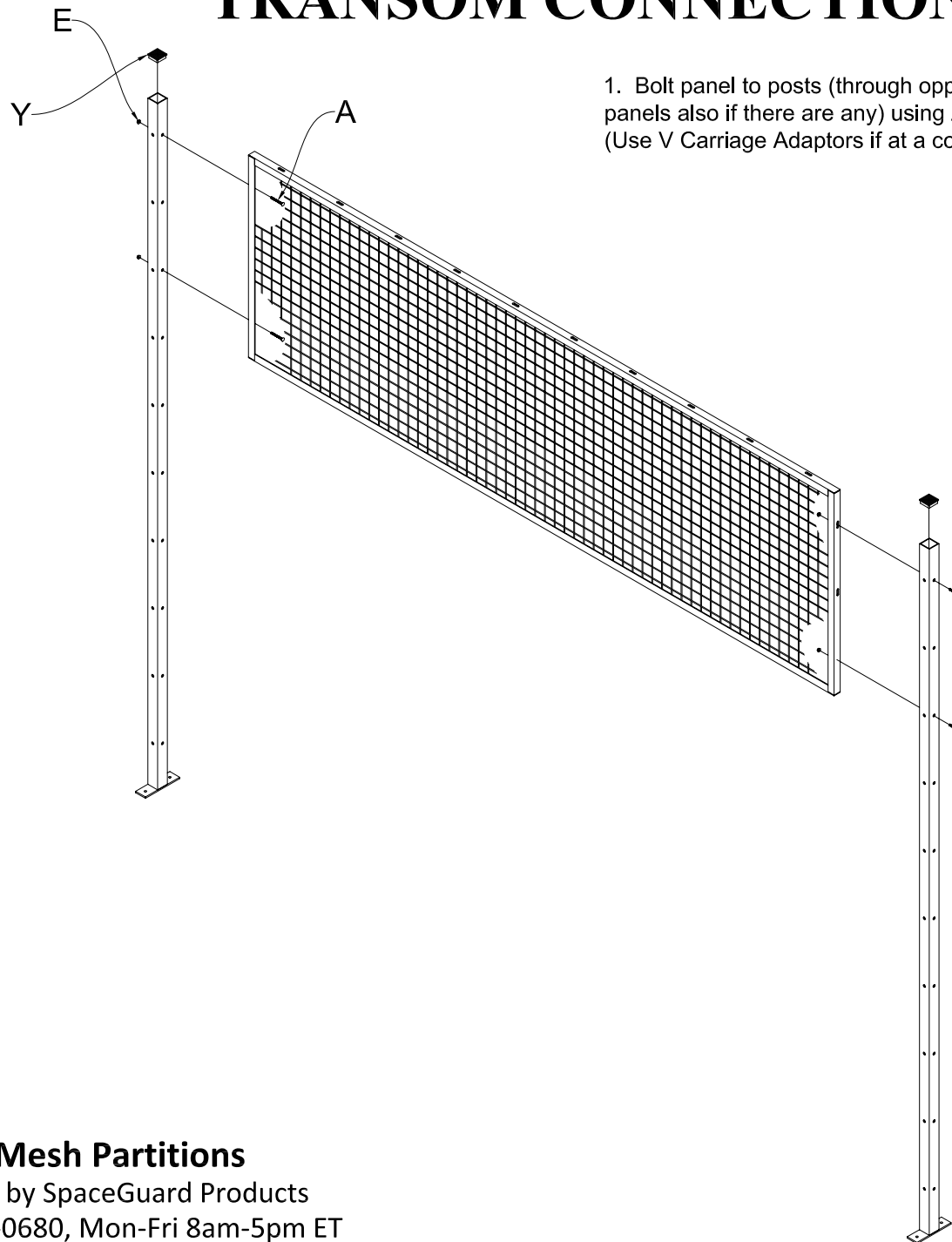
BeastWire Mesh Partitions

Manufactured by SpaceGuard Products

Call (800) 841-0680, Mon-Fri 8am-5pm ET

www.BeastWireMesh.com

TRANSOM CONNECTION



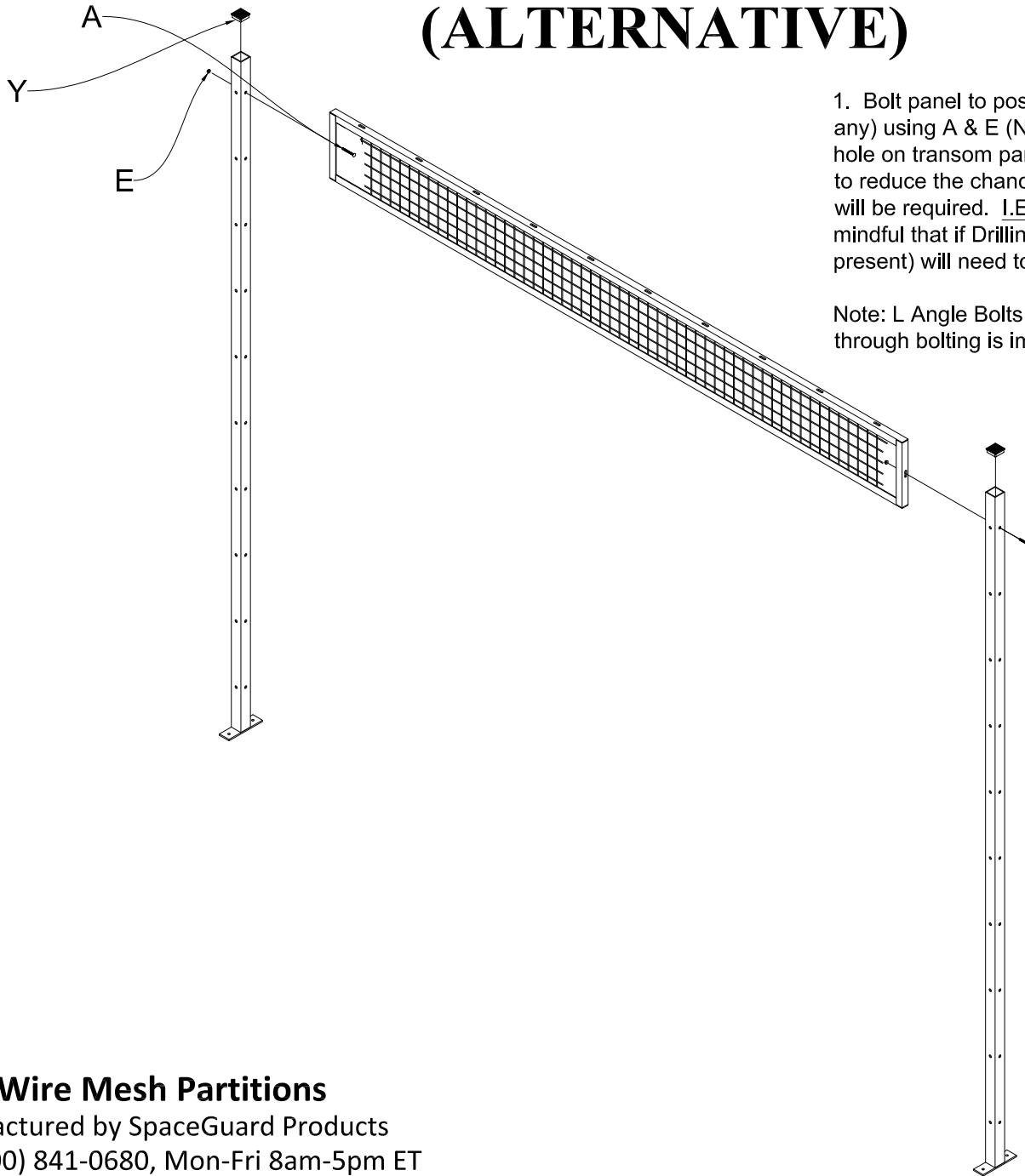
1. Bolt panel to posts (through opposite panels also if there are any) using A & E. (Use V Carriage Adaptors if at a corner.)

BeastWire Mesh Partitions

Manufactured by SpaceGuard Products
Call (800) 841-0680, Mon-Fri 8am-5pm ET

www.BeastWireMesh.com

TRANSOM CONNECTION (ALTERNATIVE)



1. Bolt panel to posts (through opposite panels also if there are any) using A & E (NOTE: On 1' High Transom Panels, only 1 bolt hole on transom panels provided. If additional holes are required to reduce the chance of the panel spinning, installer modifications will be required. I.E. Self tapping, or drilling and bolting. Be mindful that if Drilling and bolting is desired, adjacent panels (If present) will need to be drilled with same holes.

Note: L Angle Bolts have been provided for applications where through bolting is impossible.

BeastWire Mesh Partitions

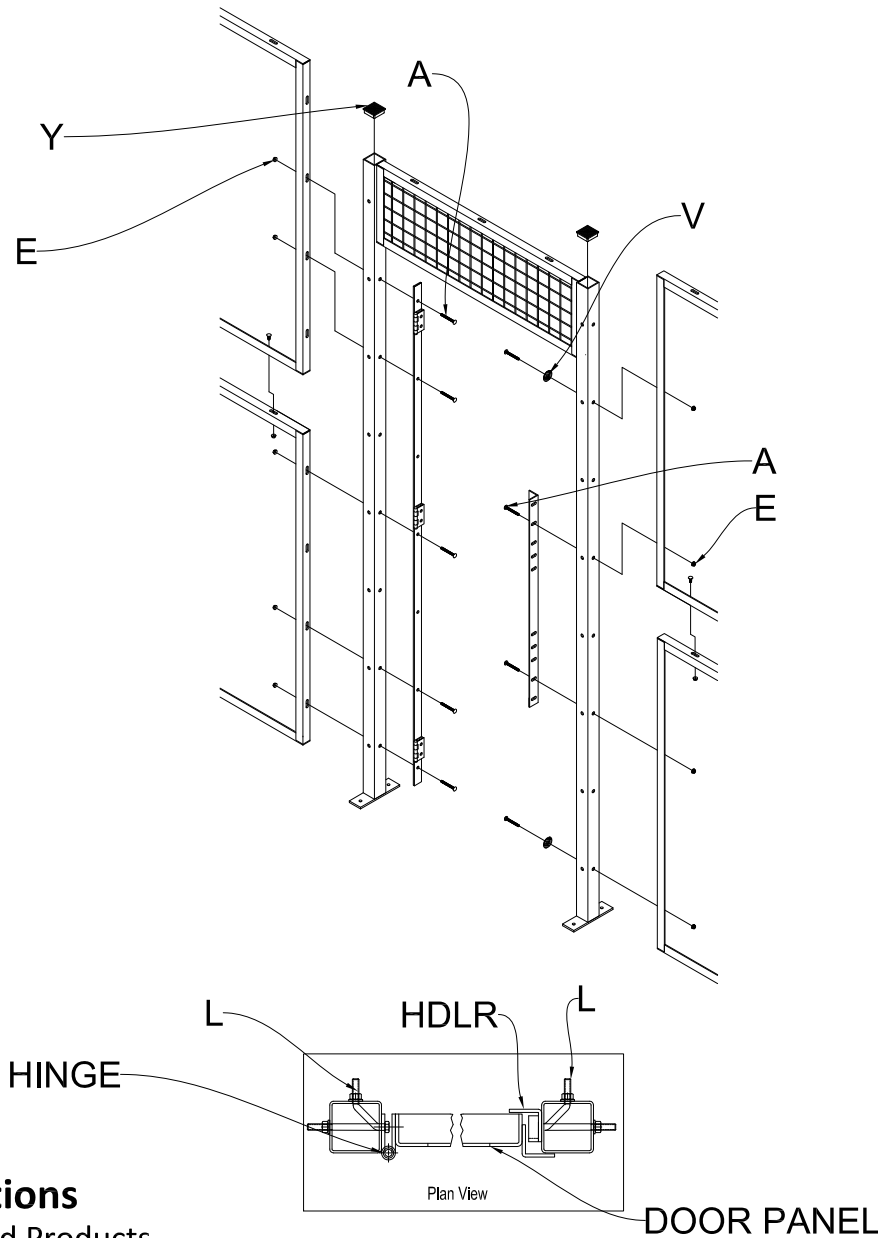
Manufactured by SpaceGuard Products
Call (800) 841-0680, Mon-Fri 8am-5pm ET

www.BeastWireMesh.com

Page 10

Standard Installation Details
Updated 2/25/2016

STANDARD HINGE DOOR (OUT-SWINGING MORTISE STYLE LOCK)



1. Bolt flat side of hinge assembly to post (through adjacent panels additionally) using A & E. Check to make sure that the swing direction (I.E. Left, right, & in, out) is that which is desired. (Note. Middle hinge is not centered intentionally.) Use as many bolts as desired.

2. Bolt receiver to opposite post in appropriate configuration (see Pg. 12 for Swing in doors.) (through adjacent panels additionally) using A & E.
Note: Completion of hanging door can be postponed until after all partition walls erected. See page 14 for Hanging of Door.

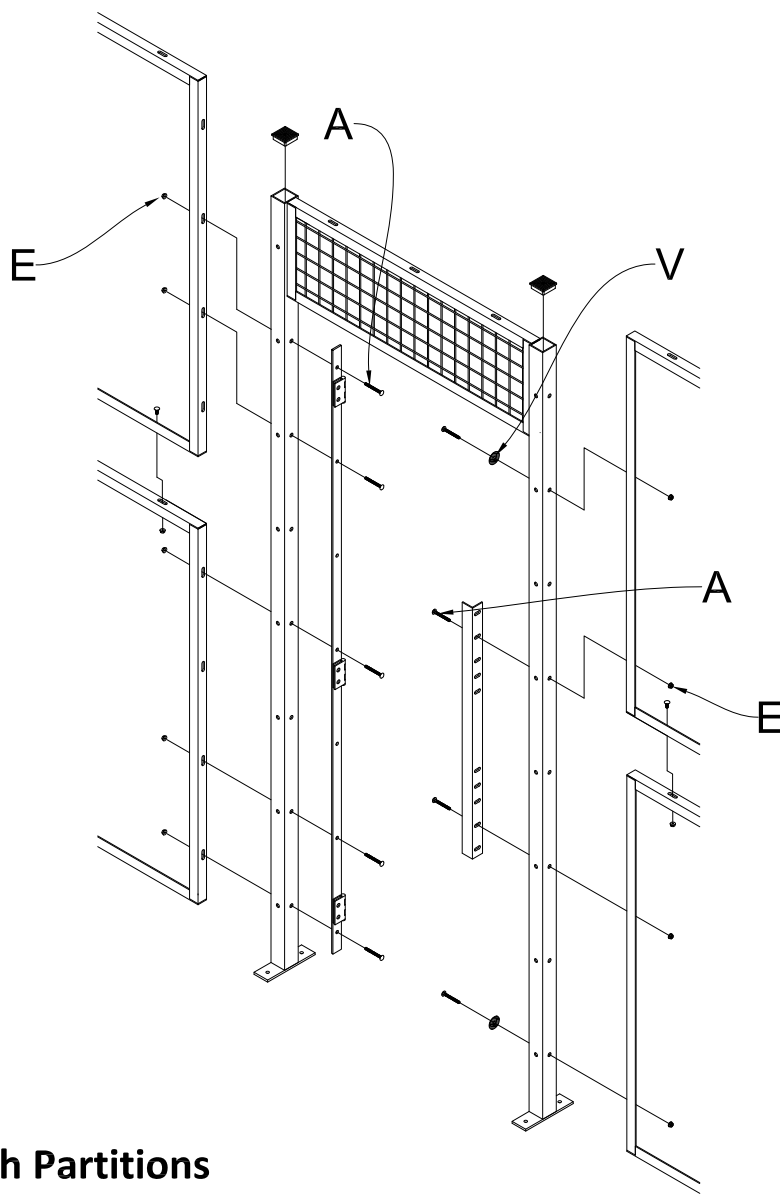
Note: L Angle Bolts have been provided for applications where through bolting is impossible.

BeastWire Mesh Partitions

Manufactured by SpaceGuard Products
Call (800) 841-0680, Mon-Fri 8am-5pm ET

www.BeastWireMesh.com

STANDARD HINGE DOOR (IN-SWINGING MORTISE STYLE LOCK)



1. Bolt flat side of hinge assembly to post (through adjacent panels additionally) using A & E. Check to make sure that the swing direction (I.E. Left, right, & in, out) is that which is desired. (Note. Middle hinge is not centered intentionally.) Use as many bolts as desired.

2. Bolt receiver to opposite post in appropriate configuration (see Pg. 11 for Swing out doors.) (through adjacent panels additionally) using A & E. Note: Completion of hanging door can be postponed until after all partition walls erected. See page 14 for Hanging of Door.

3. L Angle Bolts have been provided for applications where through bolting is impossible.

BeastWire Mesh Partitions

Manufactured by SpaceGuard Products

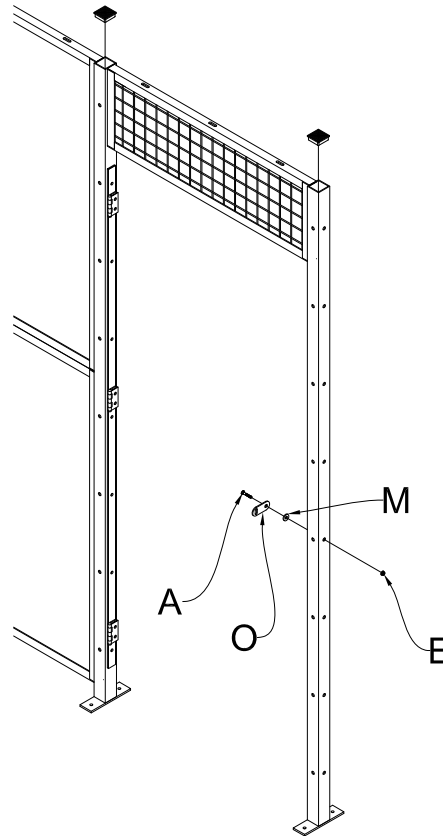
Call (800) 841-0680, Mon-Fri 8am-5pm ET

www.BeastWireMesh.com

STANDARD HINGE DOOR (PADLOCK CONFIGURATION)

1. Bolt flat side of hinge assembly to post (through adjacent panels additionally) using A & E. Check to make sure that the swing direction (I.E. Left, right, & in, out) is that which is desired. (Note. Middle hinge is not centered intentionally.) Use as many bolts as desired.

2. Bolt O to opposite post (through adjacent panels additionally) using A & E. Note: (3) M Washers have been provided to act as spacers for Lug. Up to 3 can be used on Swing out doors, and up to 1 can be used on Swing in doors.



BeastWire Mesh Partitions

Manufactured by SpaceGuard Products
Call (800) 841-0680, Mon-Fri 8am-5pm ET

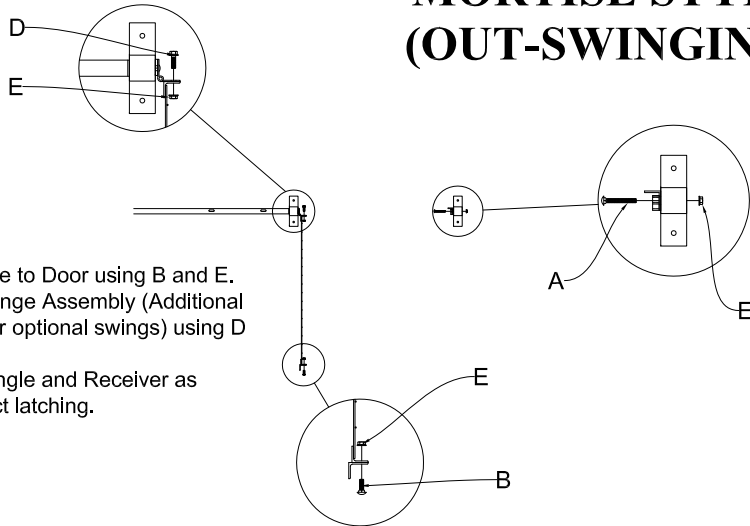
www.BeastWireMesh.com

Page 13

Standard Installation Details
Updated 2/25/2016

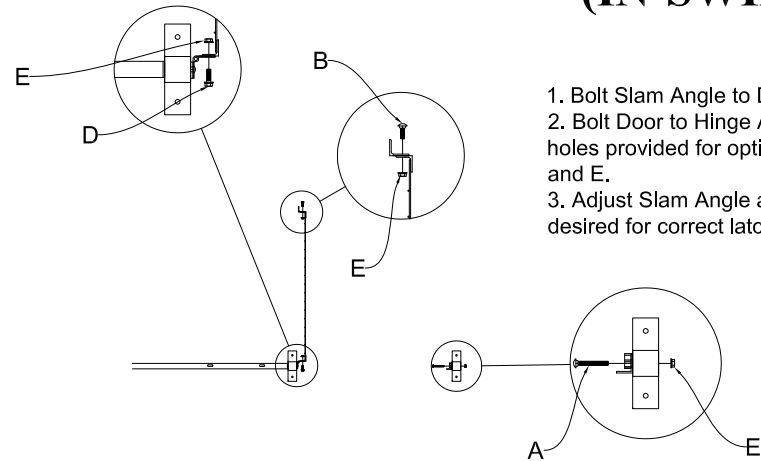
HANGING THE HINGE DOOR

MORTISE STYLE (OUT-SWINGING)



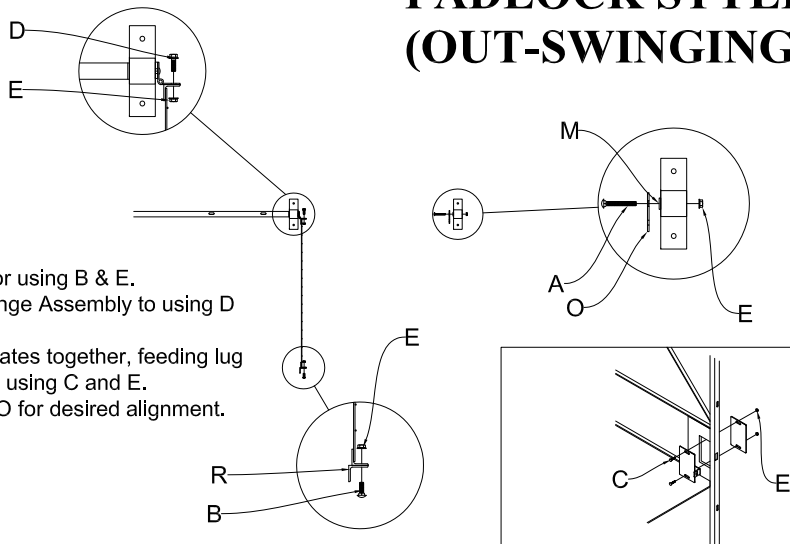
1. Bolt Slam Angle to Door using B and E.
2. Bolt Door to Hinge Assembly (Additional holes provided for optional swings) using D and E.
3. Adjust Slam Angle and Receiver as desired for correct latching.

MORTISE STYLE (IN-SWINGING)



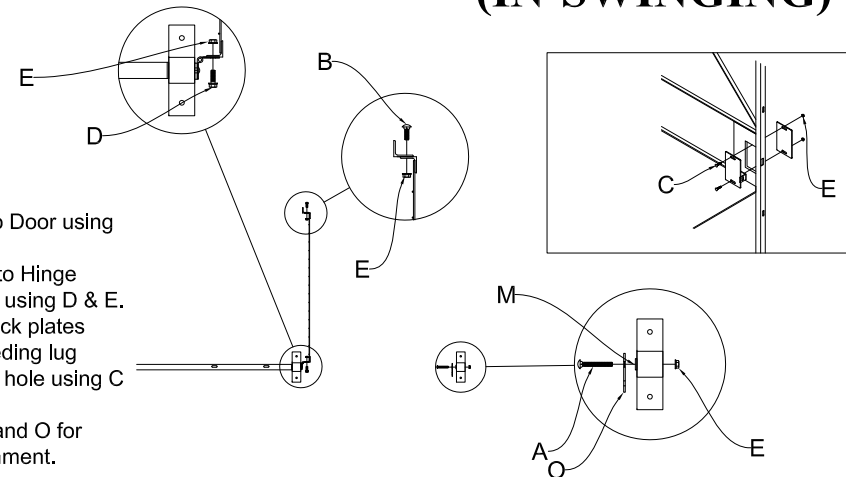
1. Bolt Slam Angle to Door using B and E.
2. Bolt Door to Hinge Assembly (Additional holes provided for optional swings) using D and E.
3. Adjust Slam Angle and Receiver as desired for correct latching.

PADLOCK STYLE (OUT-SWINGING)



1. Bolt 2 R to Door using B & E.
2. Bolt door to Hinge Assembly to using D & E.
3. Bolt padlock plates together, feeding lug through lock hole using C and E.
4. Adjust R and O for desired alignment.

PADLOCK STYLE (IN-SWINGING)



1. Bolt 2 R to Door using B & E.
2. Bolt door to Hinge Assembly to using D & E.
3. Bolt padlock plates together, feeding lug through lock hole using C and E.
4. Adjust R and O for desired alignment.

BeastWire Mesh Partitions

Manufactured by SpaceGuard Products

Call (800) 841-0680, Mon-Fri 8am-5pm ET

www.BeastWireMesh.com

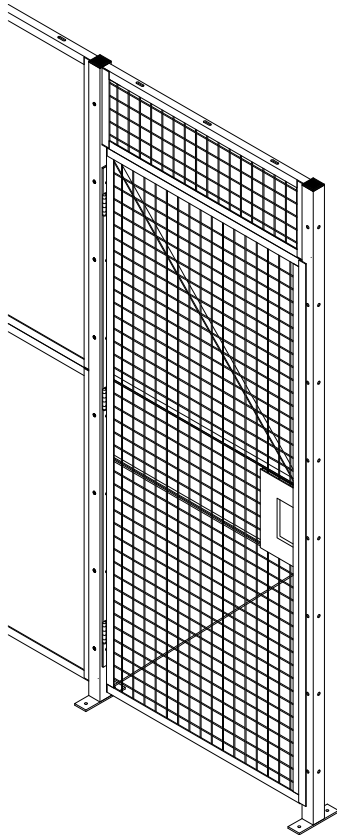
Page 14

Standard Installation Details

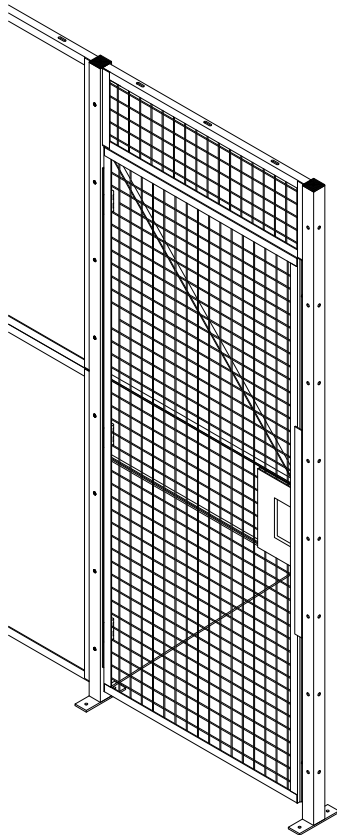
Updated 2/25/2016

ASSEMBLED HINGE DOOR

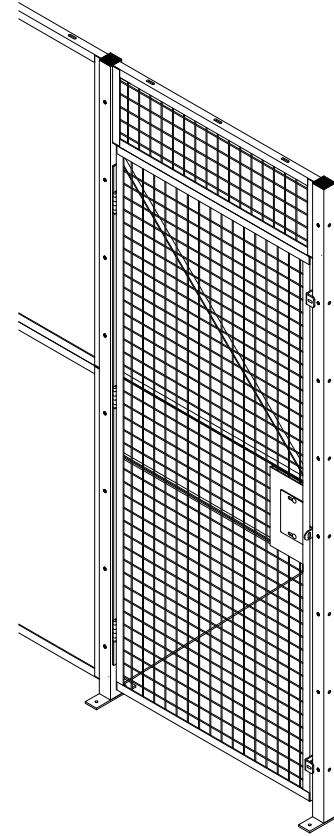
Out Swinging Mortise Style:
-Slam Angle to exterior
-Receiver leg to interior



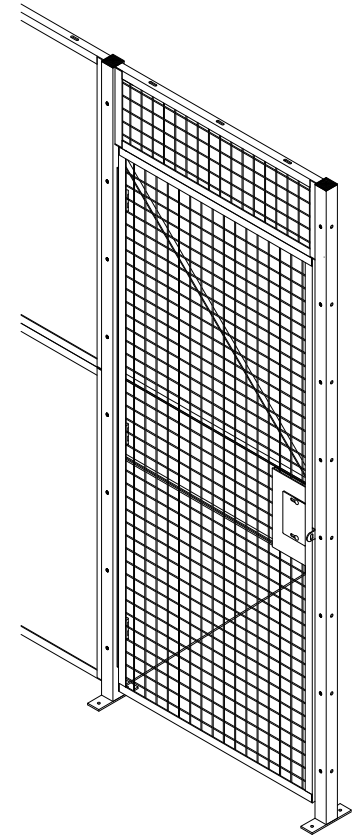
In Swinging Mortise Style:
-Slam Angle to interior
-Receiver leg to exterior



Out Swinging Padlock Style:
-Lugs to Exterior
-Angle Brackets on Exterior



In Swinging Padlock Style:
-Lugs to Exterior
-Angle Brackets on Interior



BeastWire Mesh Partitions

Manufactured by SpaceGuard Products

Call (800) 841-0680, Mon-Fri 8am-5pm ET

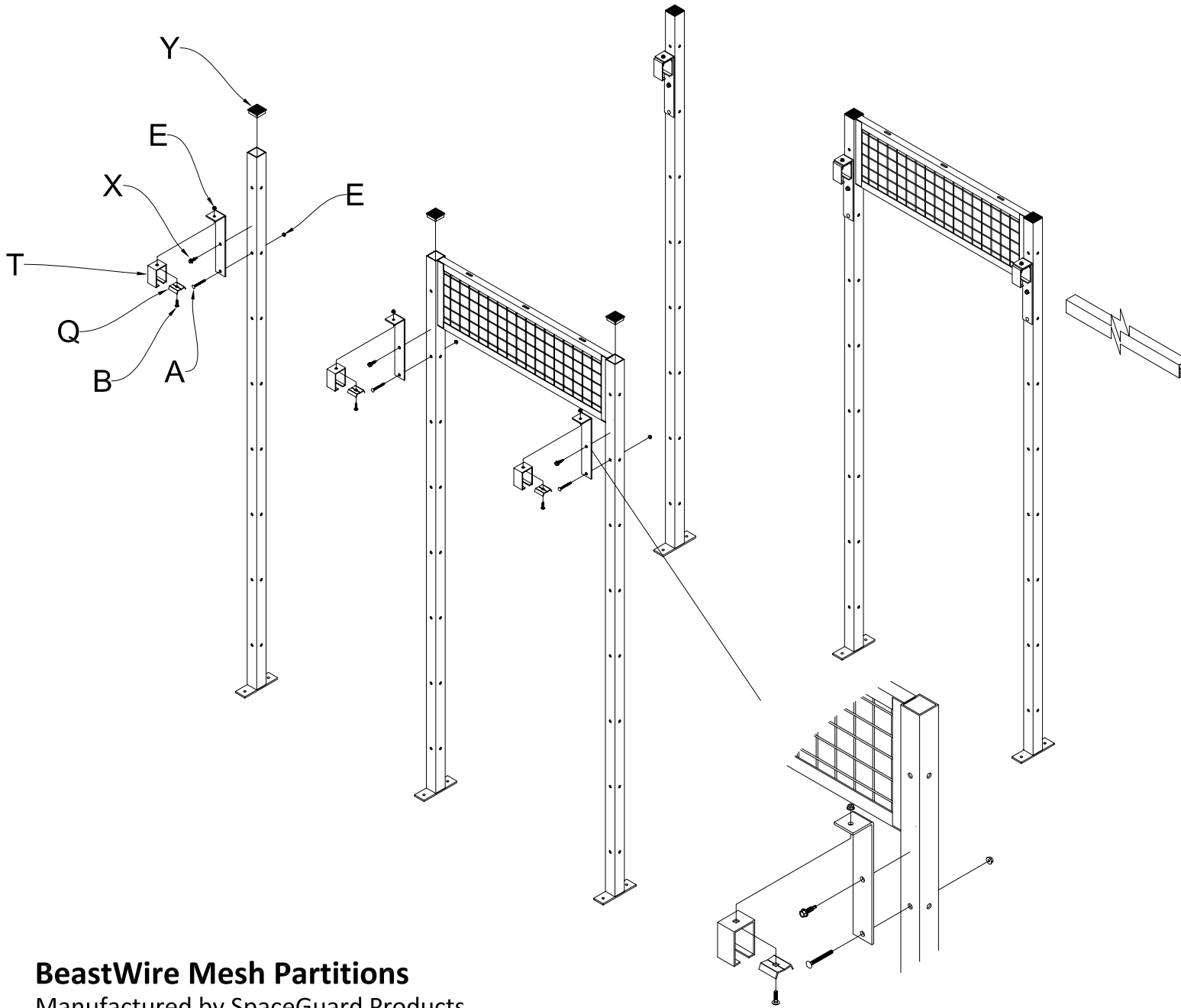
www.BeastWireMesh.com

Page 15

Standard Installation Details

Updated 2/25/2016

STANDARD SLIDE DOOR



1. Insert Q into T. Bolt this assembly to 12" L Bracket using B & E. (Note: WCLIPs are meant to grip door track. If these are too tight, they may not grip door track properly.)

2. Repeat step 1 twice, once for each 12" L Bracket provided.

3. Bolt Assembly to post using A and E. (Note only bottom hole in 12" L Bracket will line up with hole in post. If additional mounting point is desired, self tap screws and carriage bolts are provided. If carriage bolts are used, installer will be responsible for drilling post in field for additional bolt.)

4. Repeat step 3 twice, once for each assembly.

5. If for any circumstance, One or more of the assemblies cannot attach to a post and must attach to the mesh of a panel, see page 20 for further information.

6. Slide Track into bracket assemblies. Use a rubber mallet if necessary.

Note: L Angle Bolts have been provided for applications where through bolting is impossible.

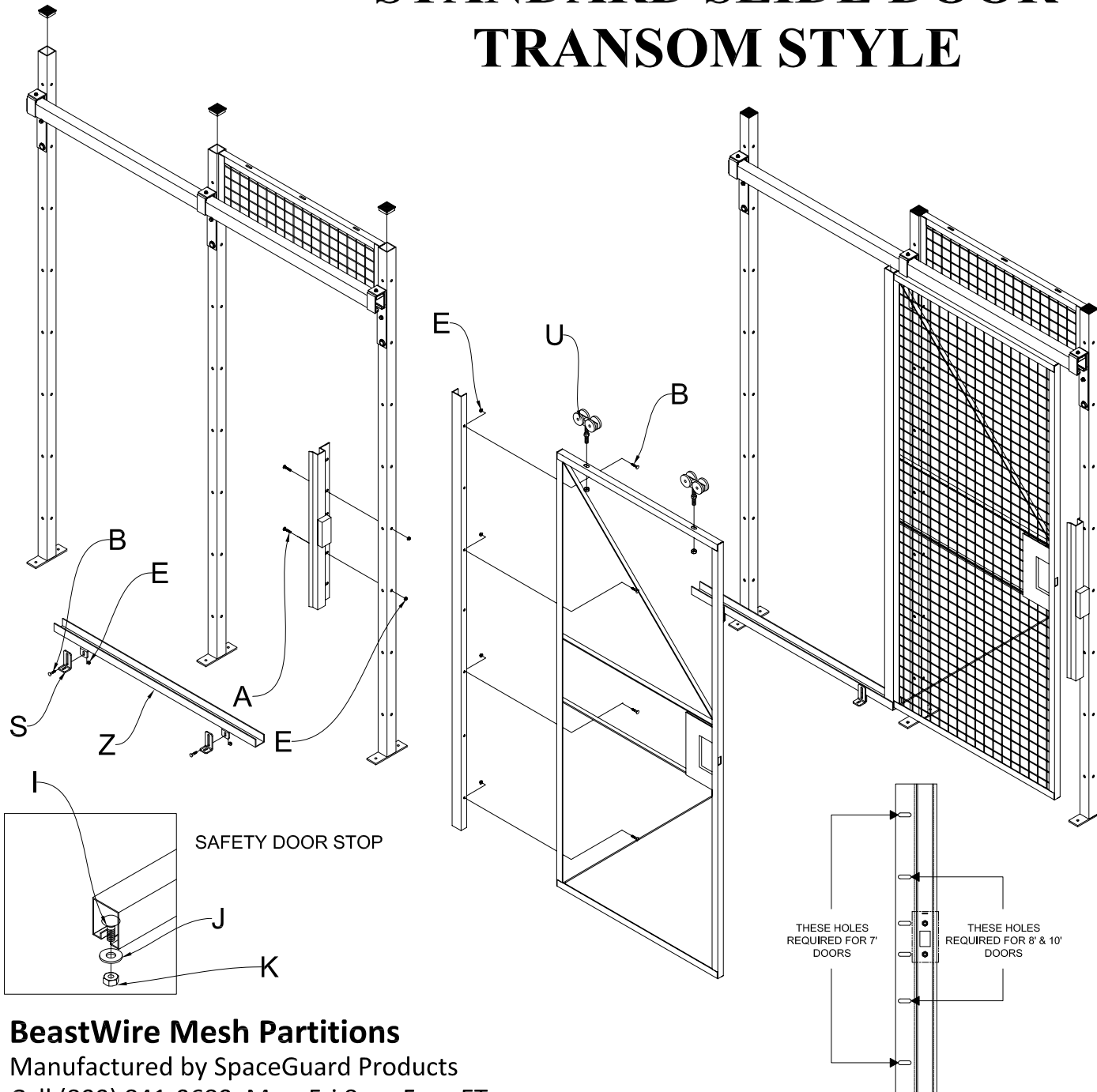
BeastWire Mesh Partitions

Manufactured by SpaceGuard Products

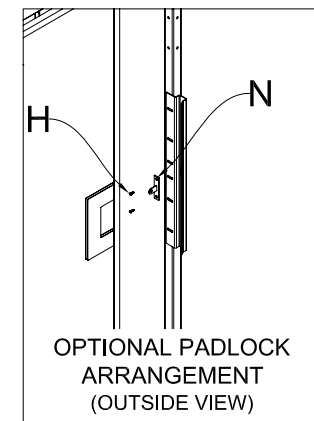
Call (800) 841-0680, Mon-Fri 8am-5pm ET

www.BeastWireMesh.com

STANDARD SLIDE DOOR TRANSOM STYLE



1. Bolt Growth plate to inactive side of door using B & E.
2. Bolt 2 U to door using attached nuts. See page 18 for further instructions on retention.
3. Bolt receiver to post using A & E (be mindful that panels will be bolted here as well).
4. Slide door trolleys into track.
5. Install safety door stop using I, J, & K on non active side of door track.
6. If padlock arrangement style was ordered, see below.
7. If Mortise style was ordered, see lock manufactures details for installation into door.
8. Door Guide: Bolt (2) S to Z using B & E. Select location (can vary due to site conditions) and anchor to floor. Channel should encompass growth plate on inactive door side & slotted angle along bottom of door (see pg. 19).



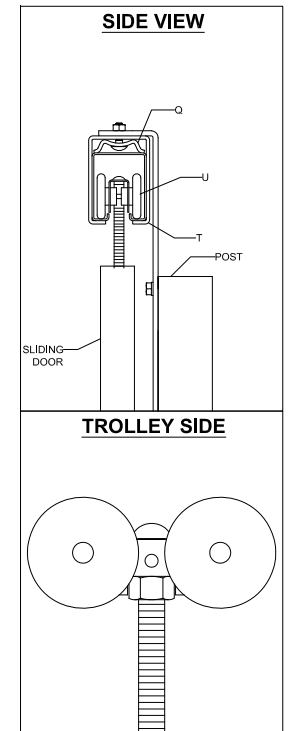
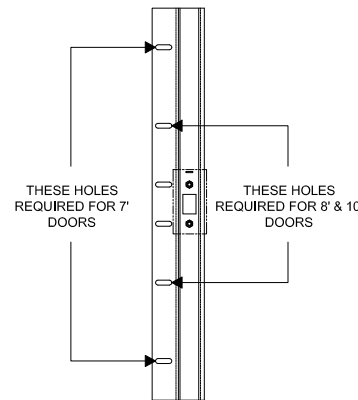
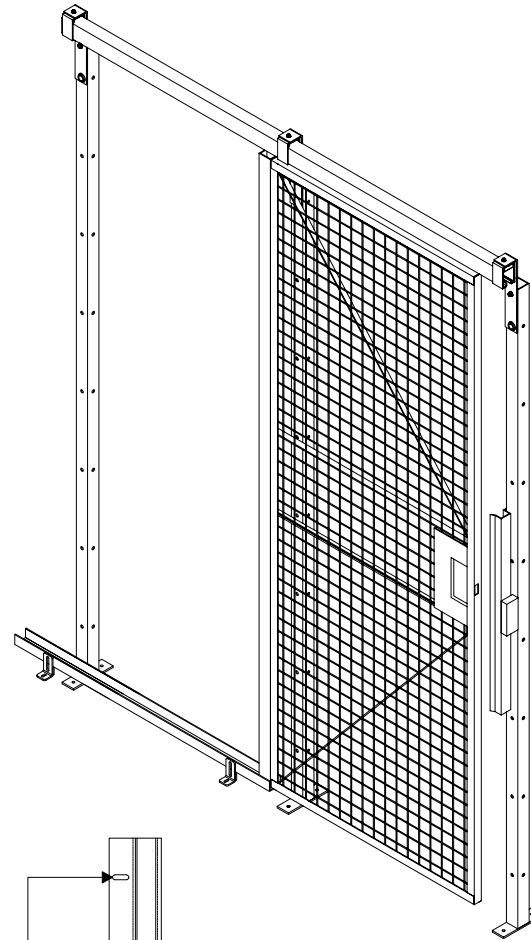
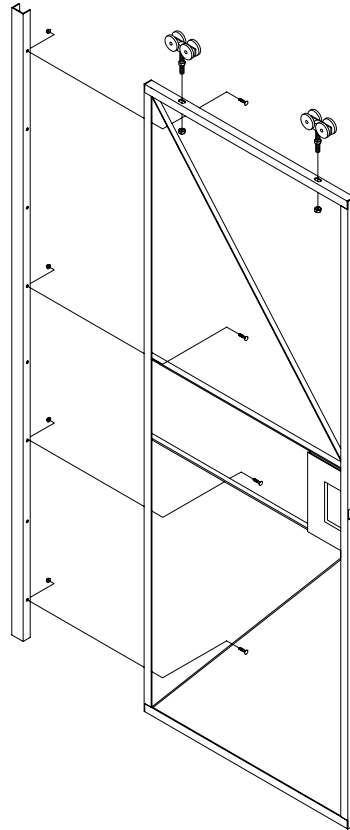
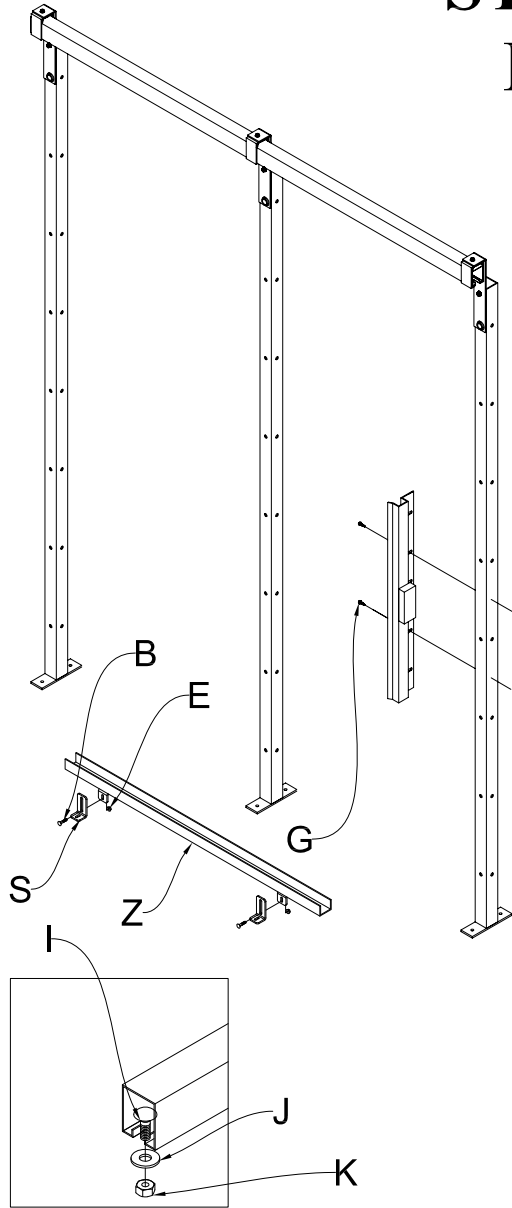
BeastWire Mesh Partitions

Manufactured by SpaceGuard Products
Call (800) 841-0680, Mon-Fri 8am-5pm ET

www.BeastWireMesh.com

STANDARD SLIDE DOOR FULL HEIGHT STYLE

1. See Pg. 17 for installation of trolleys, growth plate on door.
2. Self tap receiver to Post @ correct height.



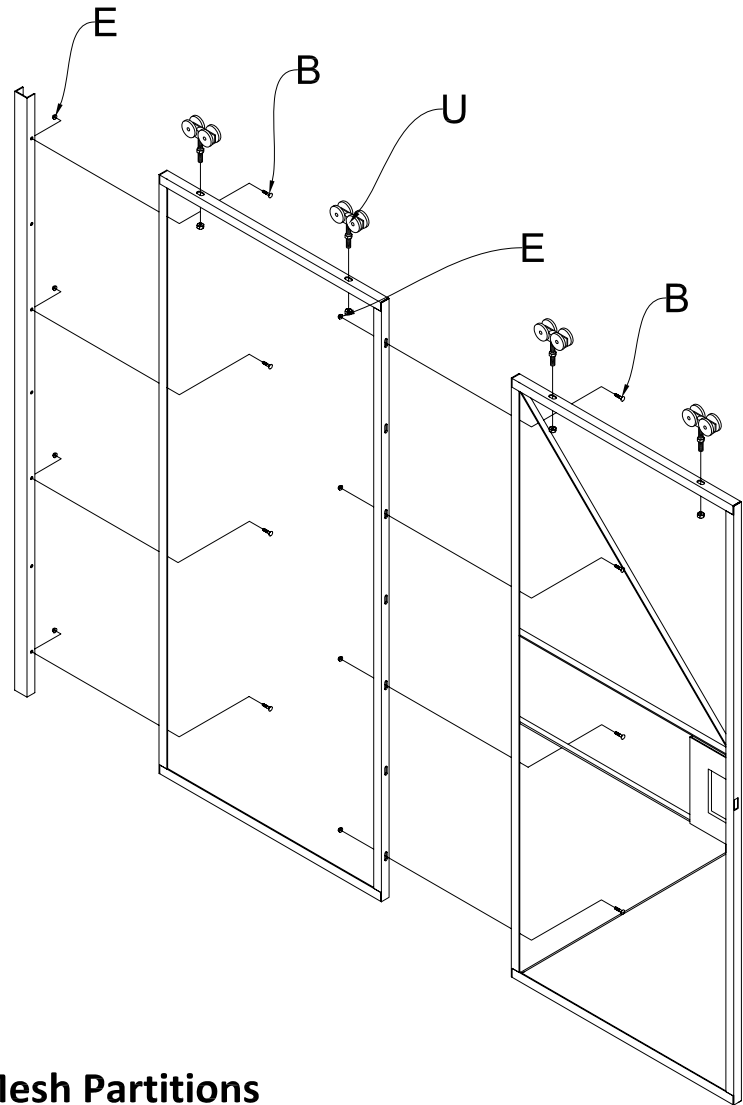
BeastWire Mesh Partitions

Manufactured by SpaceGuard Products
Call (800) 841-0680, Mon-Fri 8am-5pm ET

www.BeastWireMesh.com

STANDARD SLIDE DOOR

>5' WIDE



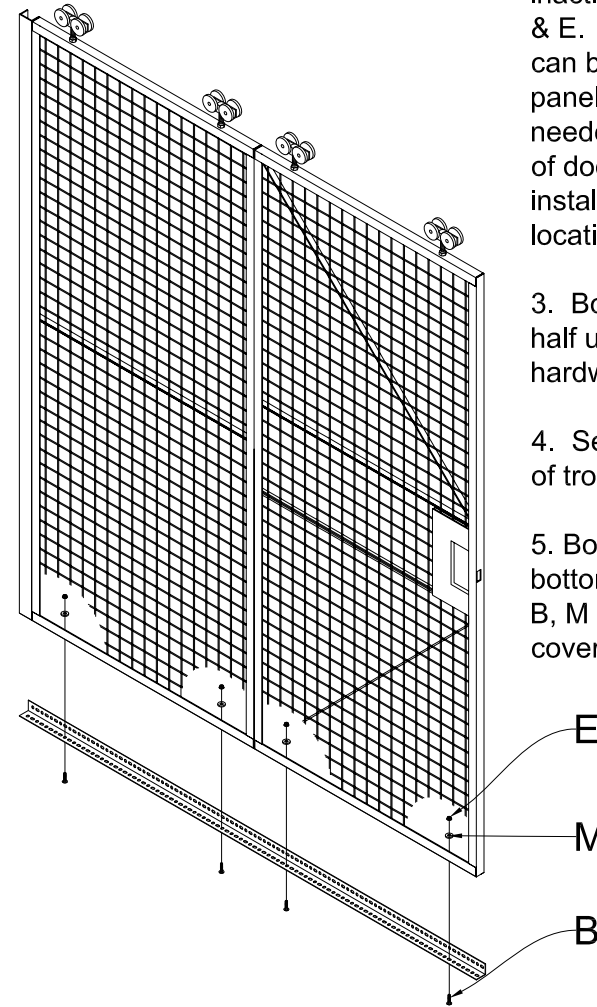
1. Bolt both panels together using B & E.

2. Bolt growth plate to inactive side of door using B & E. (Note: Growth plate can be bolted between the 2 panels. Growth plate is needed for proper function of door, but it is up to installer discretion as to location.)

3. Bolt 2 U to each door half using attached hardware.

4. See Pg. 18 for retention of trolleys in track.

5. Bolt Slotted angle to bottom of door panels using B, M, & E. Ensure Angle covers growth plate.



BeastWire Mesh Partitions

Manufactured by SpaceGuard Products

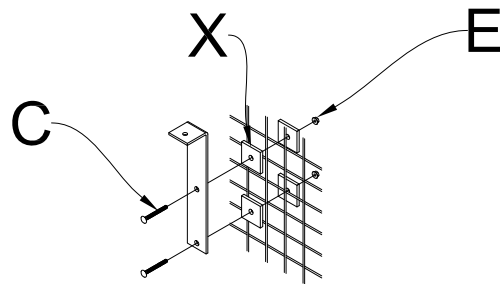
Call (800) 841-0680, Mon-Fri 8am-5pm ET

www.BeastWireMesh.com

SQUARE WASHERS FOR MESH MOUNTING

Case 1: Transom style mounting

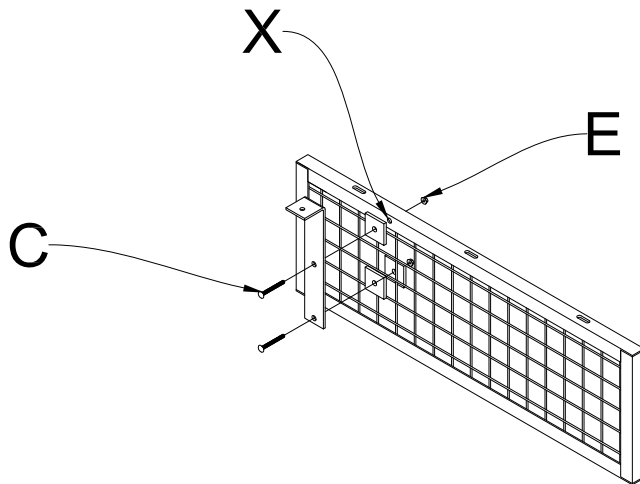
1. Bolt L12 bracket to mesh using 2 X for each mounting hole and C & E. Sandwich the mesh between the 4 X.



Case 2: Full height mounting

1. Bolt bottom hole identical as case 1 above.

2. For top hole, use one X on exterior of panel. Drill through angle of panel. Use C and E to bolt through bracket, X, and angle of panel.



BeastWire Mesh Partitions

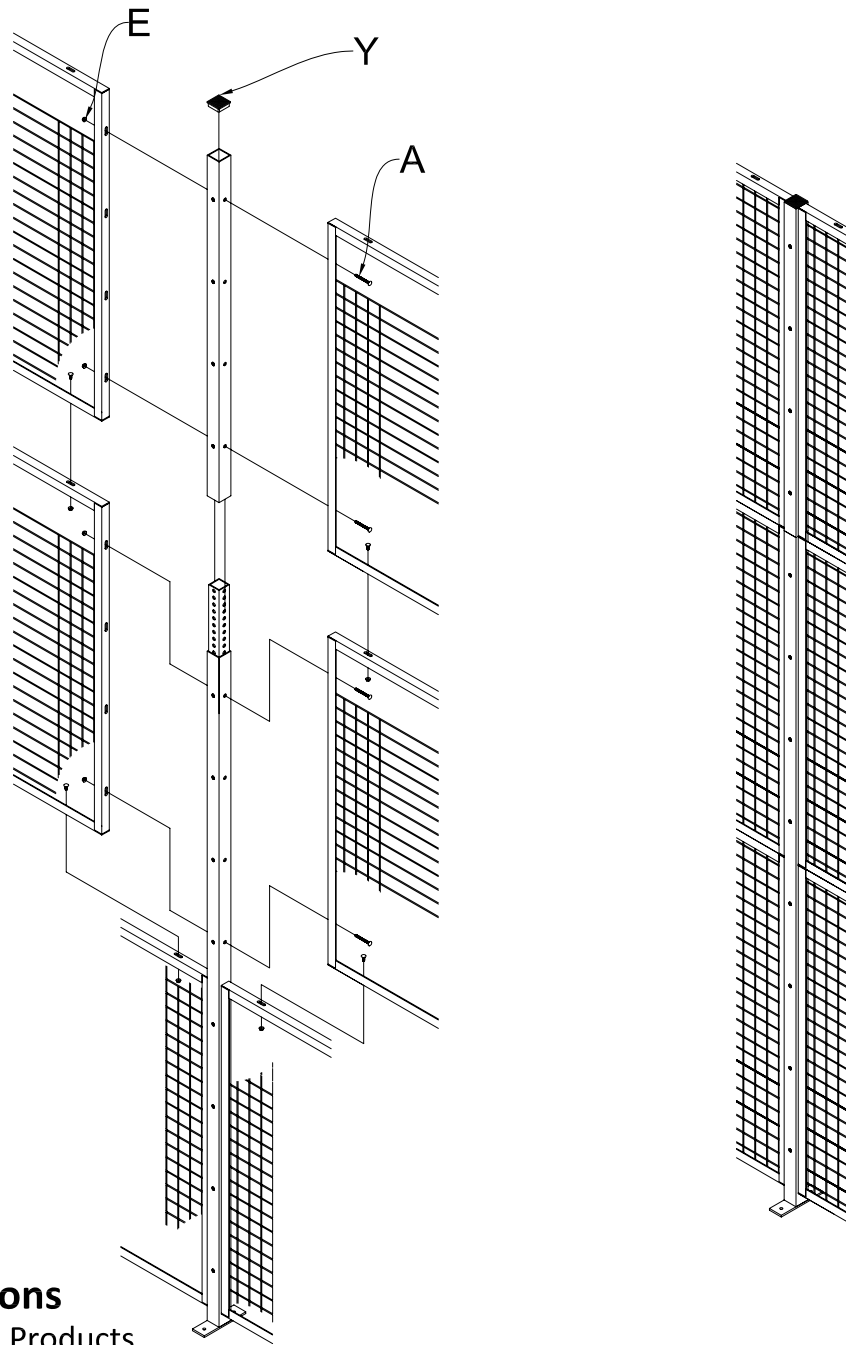
Manufactured by SpaceGuard Products
Call (800) 841-0680, Mon-Fri 8am-5pm ET

www.BeastWireMesh.com

Page 20

Standard Installation Details
Updated 2/25/2016

POST EXTENSIONS



1. Insert perforated tube into top of post. Bolt through post, insert, & Panels using A & E
2. Slide post extension over top of insert.
3. Bolt through panels, post extension, and Insert using A & E.

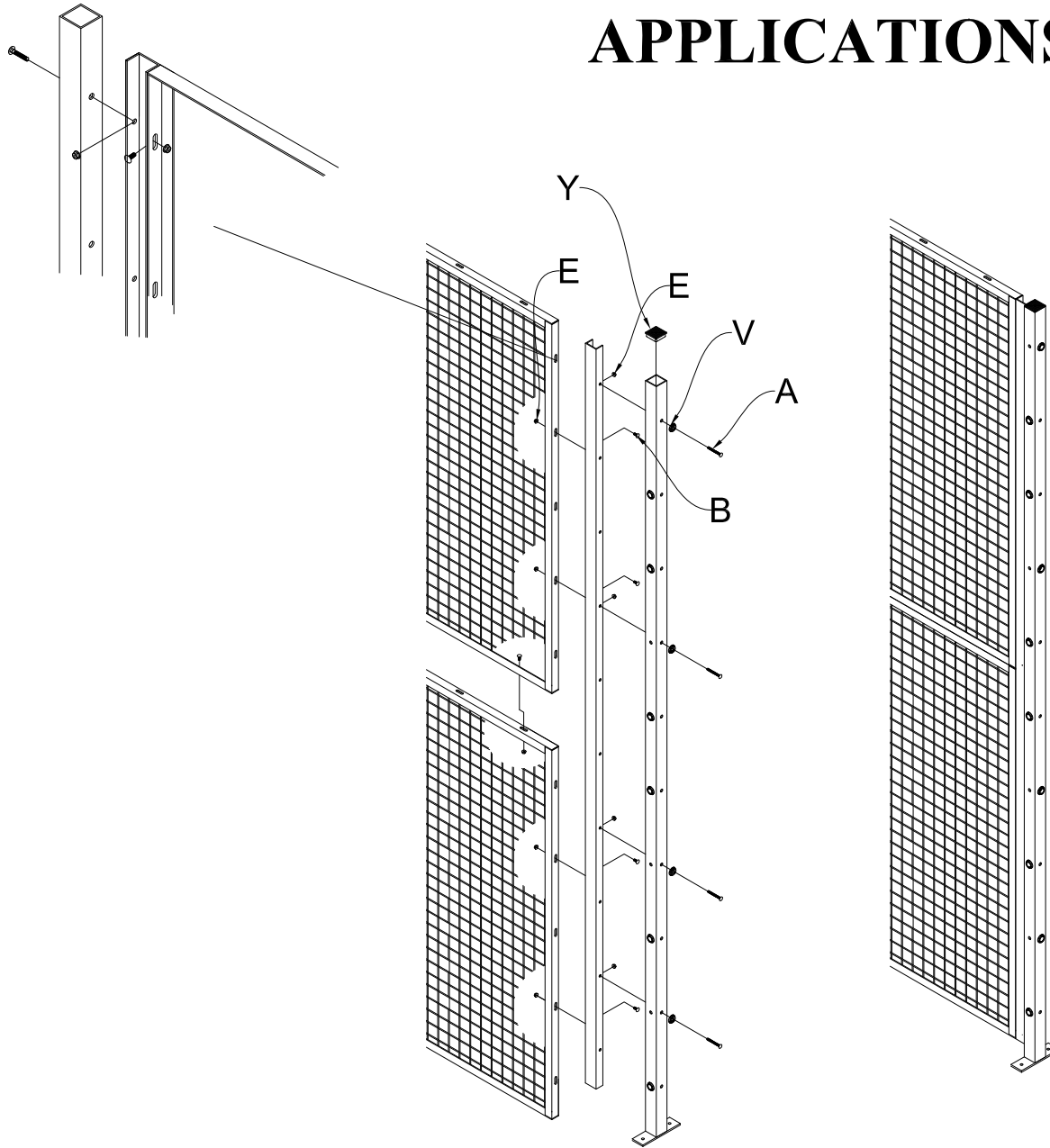
Note: Caution-Do not Drop Post insert into in Post during installation.

BeastWire Mesh Partitions

Manufactured by SpaceGuard Products
Call (800) 841-0680, Mon-Fri 8am-5pm ET

www.BeastWireMesh.com

GROWTH PLATE APPLICATIONS



Applies for all applications of growth plates.

Note: All Growth plates provided in 8' & 10' Sections (7' Exclusively for Slide Door applications only). If other lengths of Growth plate are desired, installer will be responsible for cutting provided 8' or 10' sections to desired lengths.

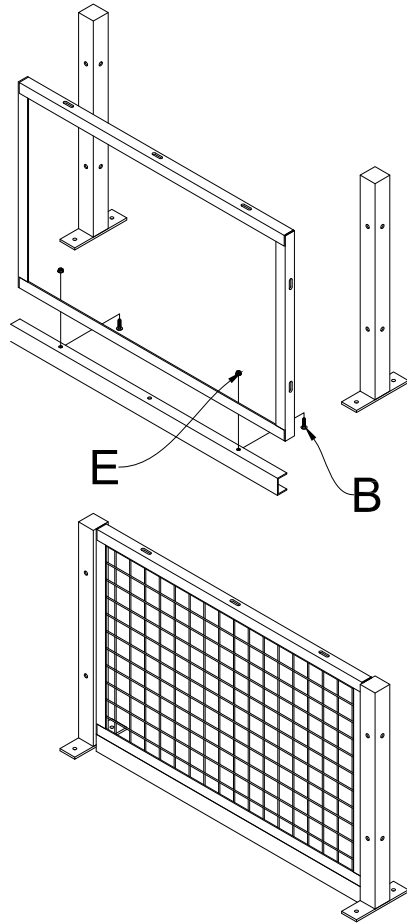
1. Bolt one leg of growth plate to panels using B & E.
2. Bolt opposite leg of Growth Plate to Post using A, V & E.

BeastWire Mesh Partitions

Manufactured by SpaceGuard Products
Call (800) 841-0680, Mon-Fri 8am-5pm ET

www.BeastWireMesh.com

GROWTH PLATE APPLICATIONS



Growth Plate can be used as a 'Sweep Cover' as well, but the following considerations need to be made.

-If growth plate is used on a corner, Growth plate will interfere with standard base plate in one direction. Installer will be responsible for modifications to either the afore mentioned Base plate or Growth Plate.

-If Growth Plate is used on a substantially tall cage that requires larger base plates, the above mentioned interference will be at all locations under panels.

-If floor is uneven, Growth Plate will show an uneven floor far more easily than using a typical sweep space. This can result in undesired space beneath Growth Plate, or can cause panels/posts to be misaligned during installation. These potential for problems must be considered when requesting minimal sweep space.

-Growth plate is **NOT RECOMMENDED** to be used to cover sweep under doors. Space is required under doors for proper function. If growth plate is used to cover sweep on doors, liability falls upon installer for modifications to door, Growth plates, base plates, floor Anchors, or any combination of the listed components. If a sweep cover is desired on doors, Spaceguard recommends looking at flexible weather stripping material such as brushes or bulbs. Incorporation of this material onto doors will be installers responsibility.

BeastWire Mesh Partitions

Manufactured by SpaceGuard Products

Call (800) 841-0680, Mon-Fri 8am-5pm ET

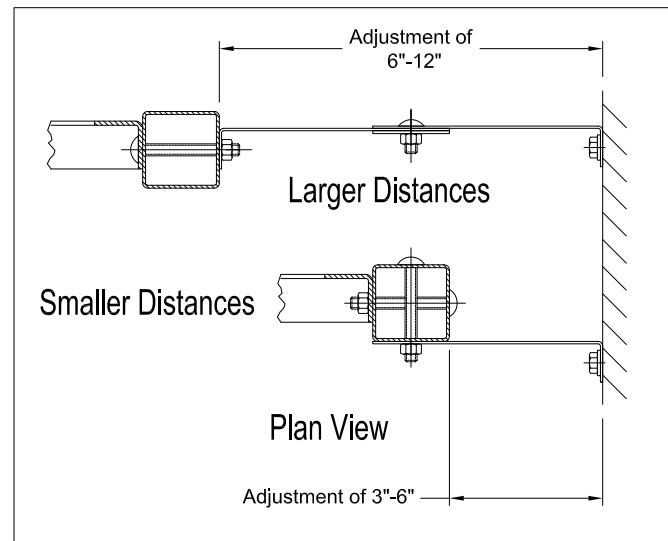
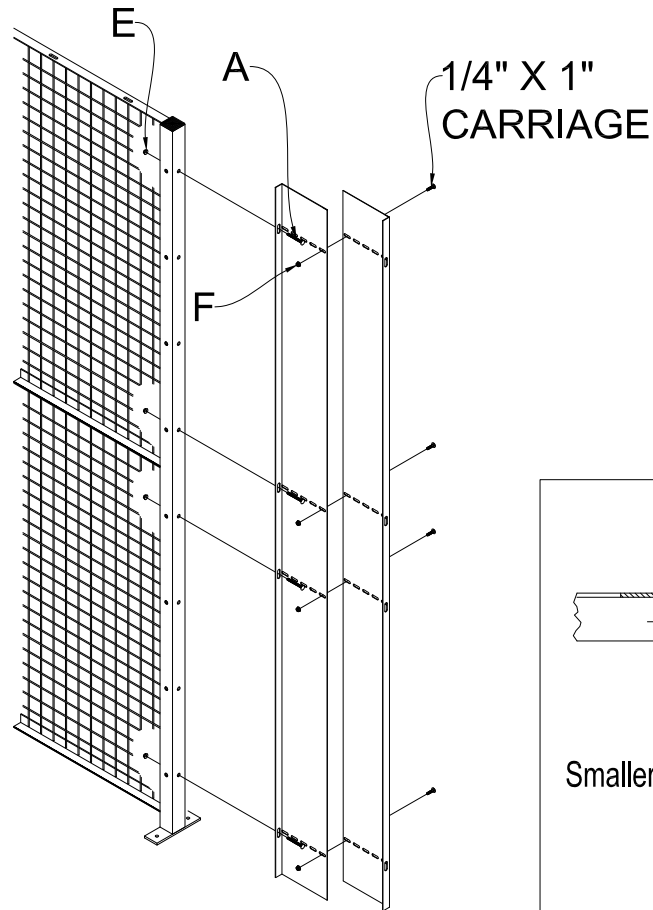
www.BeastWireMesh.com

Page 23

Standard Installation Details

Updated 2/25/2016

FLEX PANEL



Complete partition wall up to Flex Panel.

1. Determine whether a Single Panel or Double Panel system will be required.

2A. If system requires Single Panel, Bolt Flex Panel to interior post face using A & E.
-Anchor to location wall as desired on Pg. 29.

2B. If system requires Double Panel, Bolt Flex Panel leg to post face closest to location wall using A & E.

-Bolt 2nd Flex panel to other Flex Panel adjusting 2nd Flex panel to wall using 1/4" X 1" Carriage Bolt & F.

-Anchor to site wall as desired on Pg. 29.

-Note- If Flex Panels used in conjunction with ceiling, note that flex panel **MUST** be set at fixed dimension for ceiling to function properly. Ceilings are laid out based on fixed dimensions.

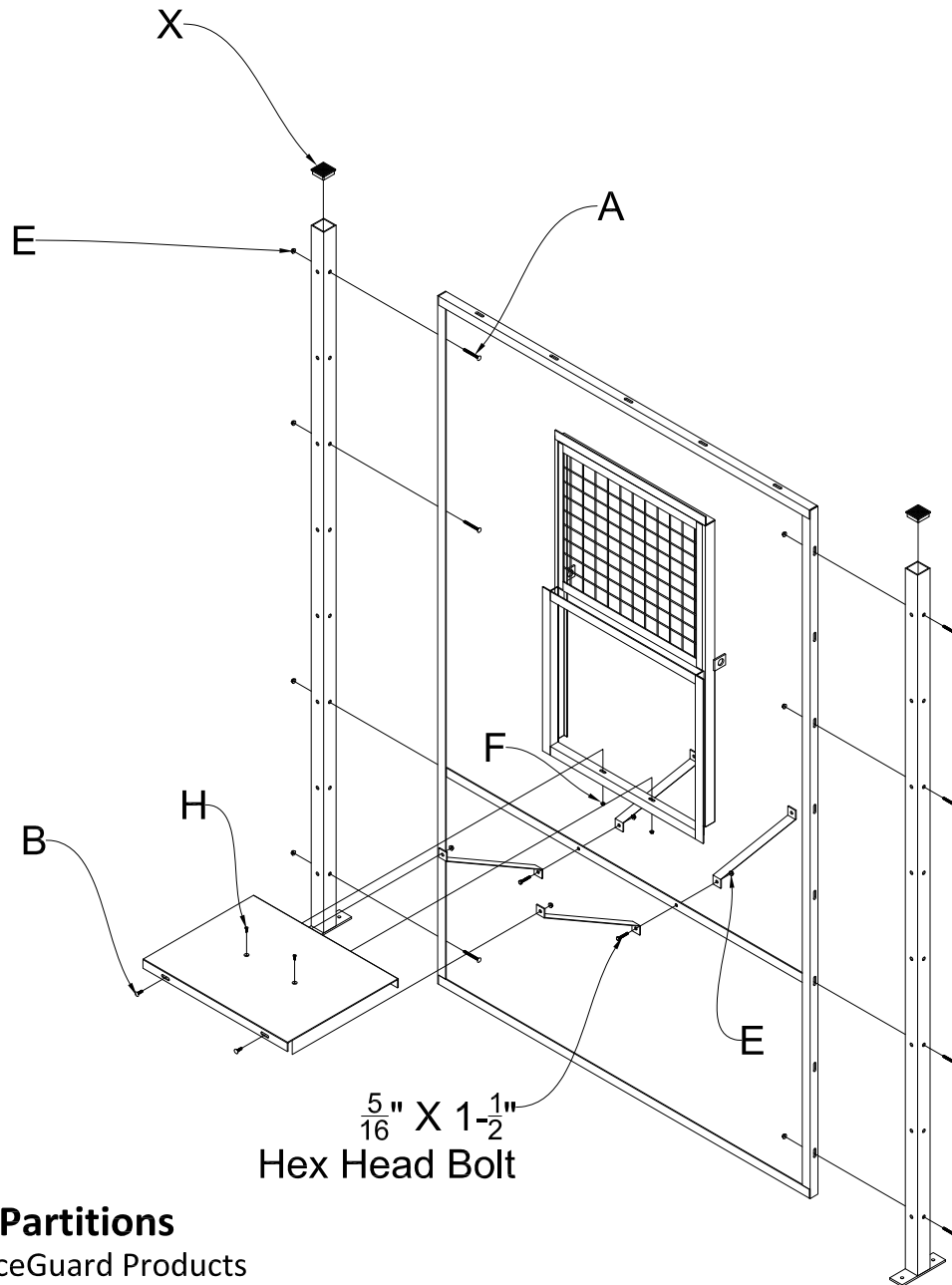
BeastWire Mesh Partitions

Manufactured by SpaceGuard Products

Call (800) 841-0680, Mon-Fri 8am-5pm ET

www.BeastWireMesh.com

SERVICE WINDOW



$\frac{5}{16}$ " X $1\frac{1}{2}$ "
Hex Head Bolt

1. Bolt Vertical panel with guide channel to posts using A & E.
2. Slide Smaller service panel into guide channel.
3. Bolt shelf to frame using H & F.
4. Bolt P (support brackets) to legs of shelf using B and E. Bolt P (support brackets) to flat in panel using $\frac{5}{16}$ " x $1\frac{1}{2}$ " Hex Head Bolts and E.

Note: See page 7 for alternative In line connections.

BeastWire Mesh Partitions

Manufactured by SpaceGuard Products

Call (800) 841-0680, Mon-Fri 8am-5pm ET

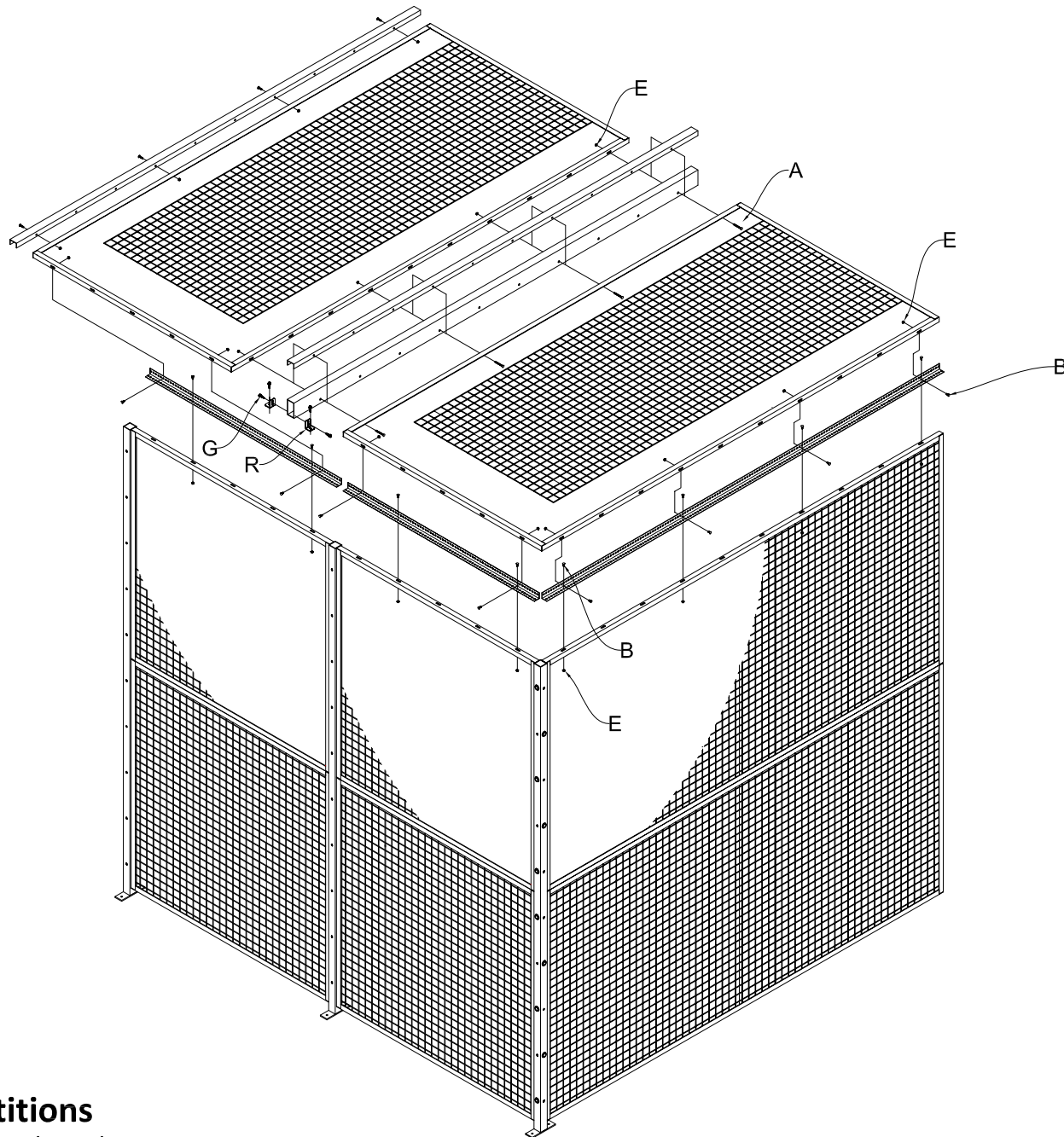
www.BeastWireMesh.com

Page 25

Standard Installation Details

Updated 8/25/2017

CEILING CONNECTIONS



(Note: Do not begin Ceiling assembly until wall partitions are set in place and anchored to floor. This step, depending on ceiling size, will likely require 3+ people to install. Refer to provided ceiling layout prior to start of ceiling installation.)

1. Bolt perimeter angle to exterior partition walls using B & E. Perimeter angle shipped in 10' Sticks. Installer will have to cut for other sizes if required.

2. Bolt ceiling panels to perimeter angle using B & E.

3.A. (If required) Bolt panels to beam using A & E. Self tap R to beam and panels @ where beam rests on Partition Wall Posts. See Pg. 25 for further Beam support.

3.B. Growth Plate can be used in lieu of Beam on smaller ceiling applications.

BeastWire Mesh Partitions

Manufactured by SpaceGuard Products

Call (800) 841-0680, Mon-Fri 8am-5pm ET

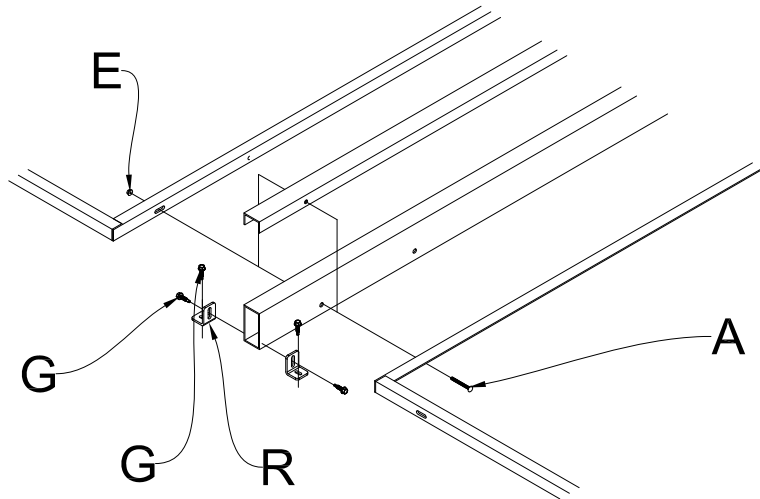
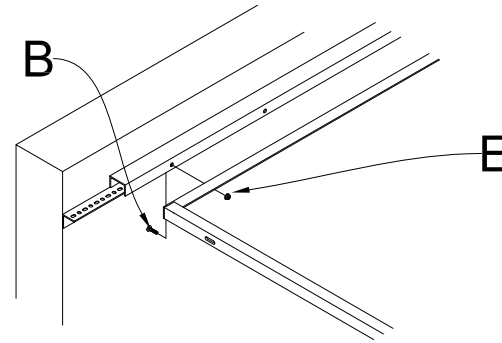
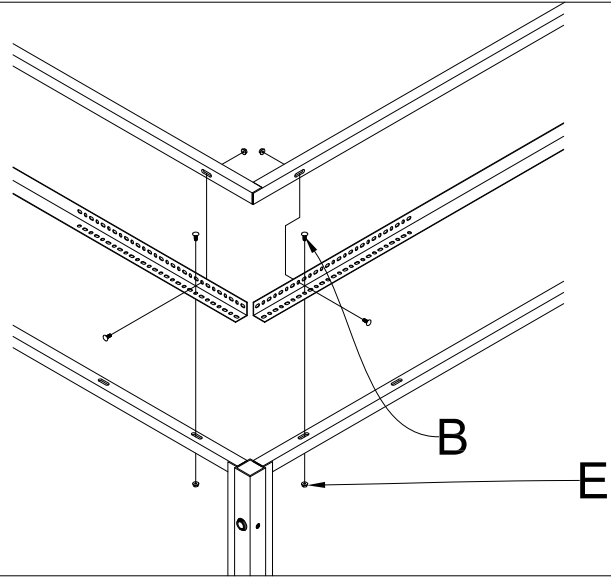
www.BeastWireMesh.com

Page 26

Standard Installation Details

Updated 2/25/2016

CEILING CONNECTIONS



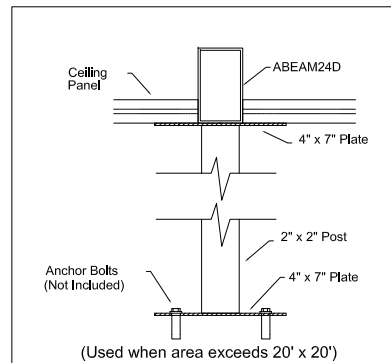
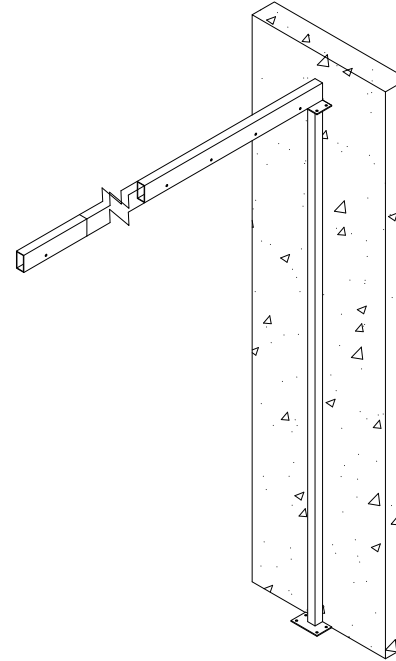
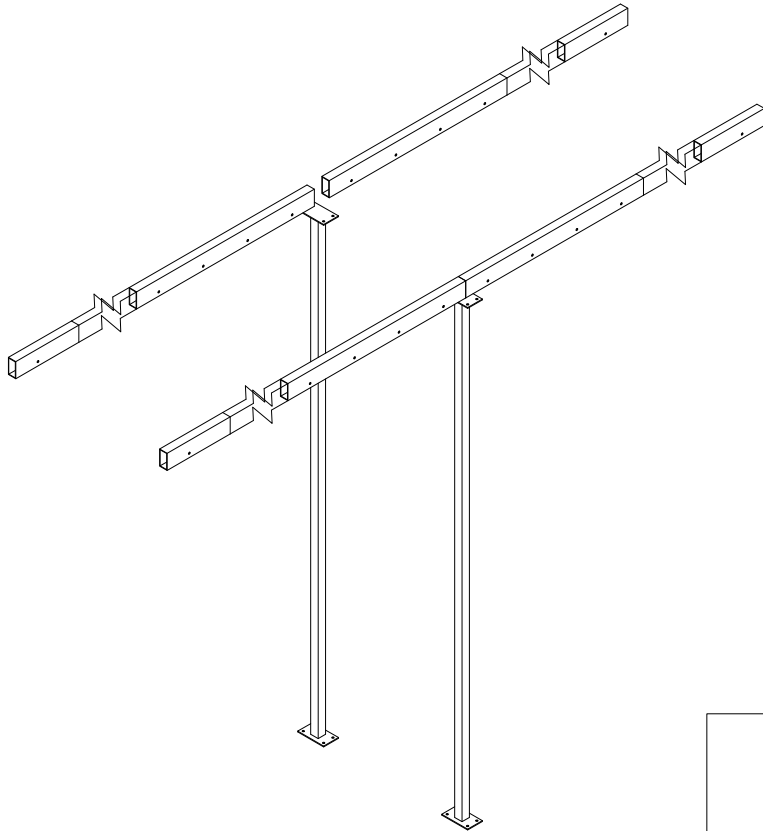
BeastWire Mesh Partitions

Manufactured by SpaceGuard Products
Call (800) 841-0680, Mon-Fri 8am-5pm ET

www.BeastWireMesh.com

INTERMEDIATE BEAM SUPPORT POST

1. Intended for supporting beam intersections and for beams running to walls.
2. If beams are not desired on the internal of the partition walls, then installer will be entirely responsible for the support of the ceiling.
3. Do not connect Beams to Support Posts.



Support Post (JSC)

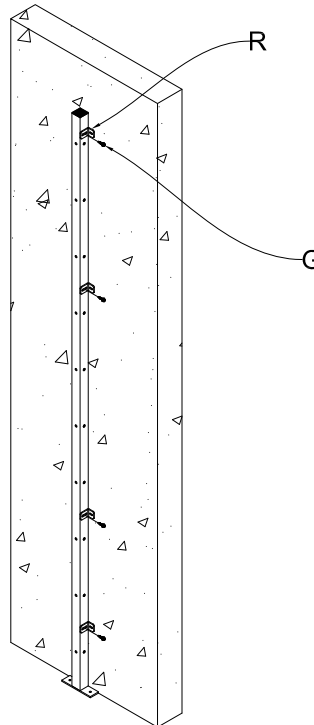
BeastWire Mesh Partitions

Manufactured by SpaceGuard Products
Call (800) 841-0680, Mon-Fri 8am-5pm ET

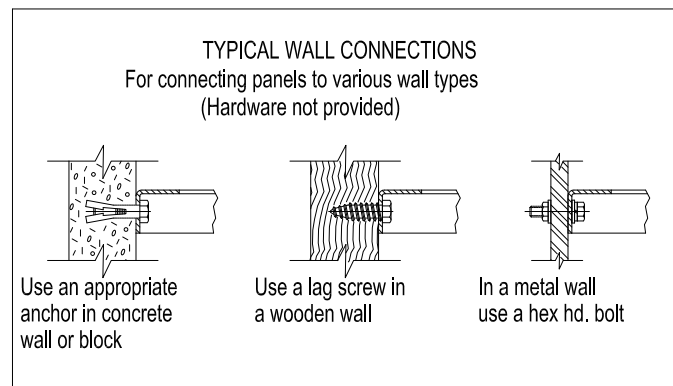
www.BeastWireMesh.com

OPTIONAL WALL BRACING

(PARTS SOLD SEPARATELY FROM POSTS)



1. Self tap R to Post using G.
2. Attach to wall however may work for your application, see bottom for different options.



BeastWire Mesh Partitions

Manufactured by SpaceGuard Products
Call (800) 841-0680, Mon-Fri 8am-5pm ET

www.BeastWireMesh.com

Page 29

Standard Installation Details
Updated 10/25/2016

This guide covers basic installations using stocked items only.

Your particular enclosure may not be covered by details contained within this guide and may require field modifications not described. If you have questions regarding your particular installation, please locate the order number on your packing list and call the phone number below to speak with a customer service representative.

**THANK YOU FOR CHOOSING
BEASTWIRE MESH PARTITIONS!**

BeastWire Mesh Partitions

Manufactured by SpaceGuard Products
Call (800) 841-0680, Mon-Fri 8am-5pm ET

www.BeastWireMesh.com

Page 30

Standard Installation Details
Updated 2/25/2016