

# BEASTWIRE PARTITIONS FIELD SURVEY CHECKLIST

Helpful hints for an accurate quote



## THE BASICS

### 1: CAGE LAYOUT

> Floor plan, rough sketch etc.

### 2: WIRE MESH PATTERN & GAUGE

- > \*Welded 2x2 sq. 10ga. (standard duty)
- > \*Welded 2x2 sq 6ga. (heavy duty)
- > \*Woven 1 1/2" diamond 10ga. (standard duty)
- > Other non-standard patterns available (ask your rep)

\*our standard mesh meets DEA & IBC Specs

### 3: HEIGHT OF CAGE

- > Standard heights are 6'-2" thru 12'-2" (in 1' increments)
- > Special heights are available (ask your rep)

### 4: DOOR TYPES

- > Hinge: 3' or 4' wide
- > Slide: 3' - 10' wide

A: Height & Width of door opening\*

B: Type of lock required

C: Direction to close (outside looking in)

D: Accessories i.e. Panic Bars, Closers, Dutch Door

\*insure you have room for the doors such as aisle space, overhead obstructions etc..

### 5: COLOR

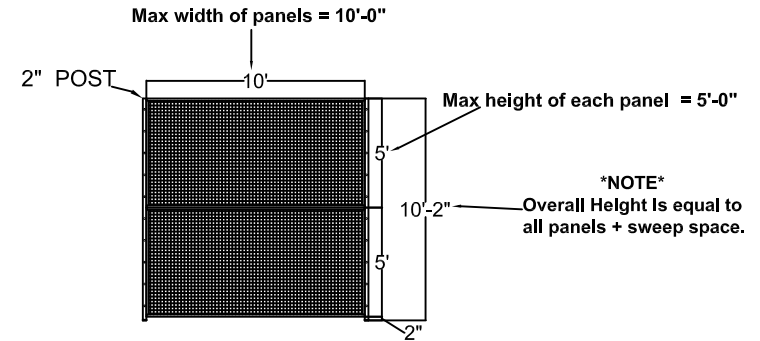
- > Beast Black & SpaceGuard Gray are standard
- > Blue, Green, Yellow, Orange, Red, & White are available for an additional upcharge.
- > Special colors available with RAL # (additional charges will apply)

## POINTS TO DISCUSS WITH END USER

- Is a ceiling required?
  - \* Ceilings add to the overall height of a cage (up to 4")
  - \* For large cages there may be Joist support columns inside the cage to support the ceiling and beams (insure these won't interfere w/existing interior equipment)
- Will the cage go up to the existing roof deck?
  - \* Will the cage need to be tied off to the existing roof structure?
  - \* We recommend using web only panels to fill in between the cage and roof deck.
- Are Tamper resistant connections required?
  - \* This is common in DEA & high security enclosures. (our break-away nuts are an acceptable option to welding or peening the bolts/nuts)
- Is our standard sweep space of 2" acceptable?
  - \* There are ways to eliminate the sweep space (ask your rep)

## ADDITIONAL ITEMS TO NOTE WHEN PLANNING YOUR CAGE

- Are there any obstructions that require cut outs in the cage system? i.e. electrical conduit, plumbing, HVAC, data cable trays etc..
- Is the floor level? (leveling spacers may be required & are the responsibility of the installer.
- Type of floor: Concrete, Wood, Tile (we supply standard concrete wedge anchors only)

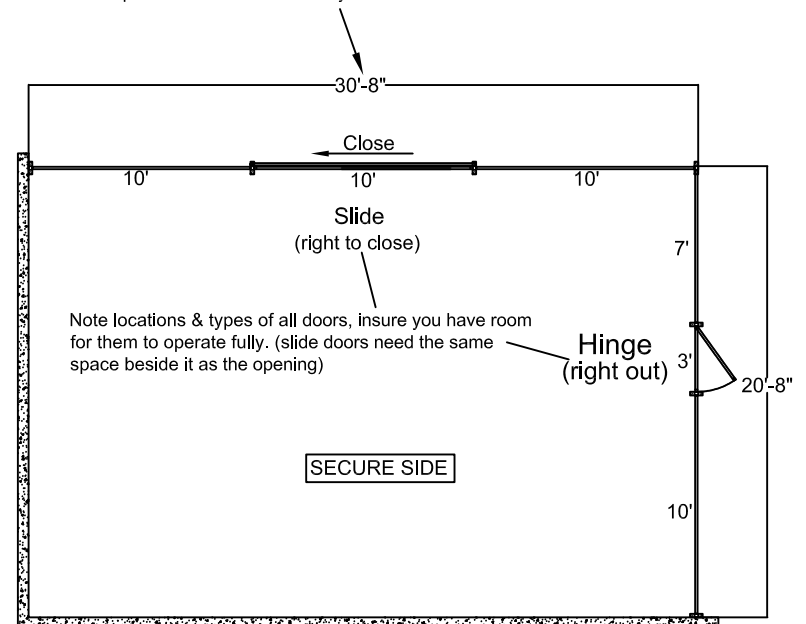


TYPICAL ELEVATION

### \*NOTES\*

\*Overall dimension is equal to all panels and posts (3) 10' panels + (4) 2" posts = 30'-8"

\*Make note of any critical dimensions, such as columns, existing bldg. doors or if a door needs to be a specific distance from an object.



TYPICAL PLAN VIEW

**BEASTWIRE PARTITIONS FIELD SURVEY CHECKLIST**

Helpful hints for an accurate quote

A large rectangular area filled with a fine grid pattern, intended for taking notes or drawing diagrams during a field survey.

**Height of cage:** \_\_\_\_\_

**Ceiling:** Yes / No

**Mesh Type:**

- 2x2 10ga. Welded
- 2x2 6ga. Welded
- 1 1/2" 10ga. Woven
- Other \_\_\_\_\_

**Doors:**

**Swing**

Lock  Padlock  Special

**Slide**

Lock  Padlock  Special

**Color:** \_\_\_\_\_

**NOTES:**

---

---

---

---

---

---

---

---

---

---