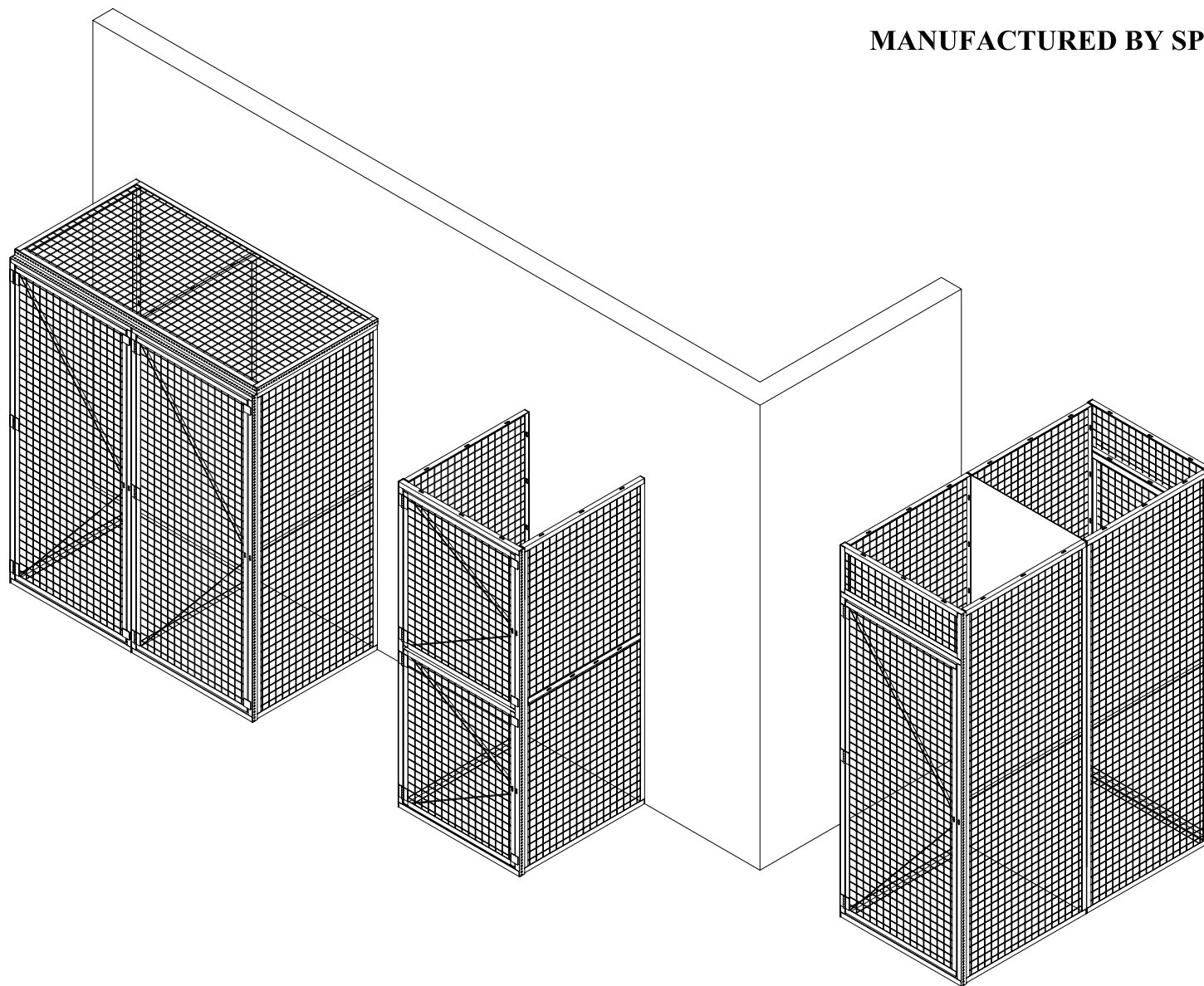


STANDARD LOCKER INSTALLATION DETAILS

BEASTWIRE
MESH GUARDING

MANUFACTURED BY SPACEGUARD PRODUCTS



GETTING STARTED WITH YOUR BEASTWIRE MESH LOCKERS

BEFORE YOU BEGIN INSTALLATION YOU MUST:

- **IDENTIFY** this label... contains packing slip
- **INSPECT** for damages before taking delivery
- **INVENTORY** for shortages
- **CONTACT** manufacturer immediately if damages or shortages are present



RECOMMENDED TOOLS:

- Crowbar, tin snips & utility knife
- Tape measure, level, & chalk line
- Ladder(s) & extension cords
- Locking C-clamps & pliers
- Saw w/ blade for cutting metal
- Impact driver w/ SAE deep well sockets
- Hammer drill w/ several new bits, appropriate for flooring
- Screwdriver set
- Rubber mallet

RECOMMENDED MATERIALS (not supplied):

- Steel angle for bracing and filling gaps at walls
- Washers or other materials suitable for leveling units
- Floor anchors, if concrete expansion anchors cannot be used
- Wall anchors, specific to the jobsite

UNLEASHING BEASTWIRE:

BeastWire Mesh Lockers are designed to use standard components to make materials more affordable, available, and easier to install. Our lockers require fewer hardware components; all carriage bolt connections with hardware on the secure side of the enclosure. Units do grow by design:

- **WIDTH:** units grow by 1/8" due to side wall connections
- **DEPTH:** units grow by 1-1/2" for doors and if wire mesh backs used
- **HEIGHT:** units grow by 1-1/2" for wire mesh tops

HELPFUL HINTS:

- **AVOID** storing materials outside or exposed to moisture
- **REMEASURE** the space before building units
- **BEWARE:**
 - Walls, columns, and ceilings that have been sheet rocked
 - Pads or uneven walls that cause measurements to vary
- **CHALK** the spaces in advance to help line up units
- **ANCHOR** units only after ensuring plumb, level, and operational doors
- **TOUCH UP** using factory supplied paint; follow directions on can
- **ADMIRE** your work and the fact you purchased a quality product

BeastWire Mesh Lockers

Manufactured by SpaceGuard Products
Call (800) 841-0680, Mon-Fri 8am-5pm ET

www.BeastWireMesh.com

INDEX

HARDWARE	4
SIDE PANELS	5
SIDE PANELS - GREATER THAN 5' DEPTH.....	6
SINGLE TIER FULL HEIGHT LOCKER.....	7
SINGLE TIER TRANSOM STYLE LOCKER	8
SINGLE TIER EXTRA WIDE LOCKER.....	9
ADDER UNITS.....	10
DOUBLE TIER LOCKER.....	11
SHELVES.....	12
SINGLE BACKS (GALVANIZED SHEET METAL)	13
ADDER BACKS (GALVANIZED SHEET METAL).....	14
TYPICAL CEILING APPLICATION.....	15

BeastWire Mesh Lockers

Manufactured by SpaceGuard Products
Call (800) 841-0680, Mon-Fri 8am-5pm ET

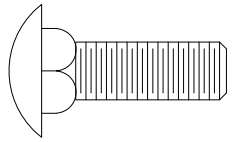
www.BeastWireMesh.com

Page 3

Standard Installation Details
Updated 2/18/2016

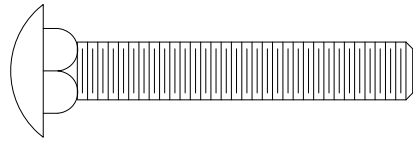
HARDWARE

A



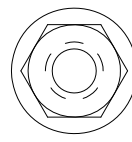
Carriage Bolt 5/16" X 1"

B



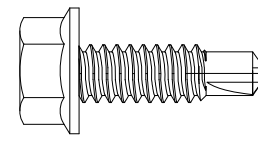
Carriage Bolt 5/16" X 2"

C



Flanged Hex Nut 5/16"

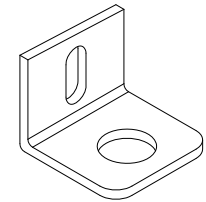
D



Self Tapping Screw 5/16" X 1"

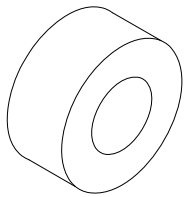
E

(Not to scale)



Padlock Hasp

F



Nylon Spacer

BeastWire Mesh Lockers

Manufactured by SpaceGuard Products
Call (800) 841-0680, Mon-Fri 8am-5pm ET

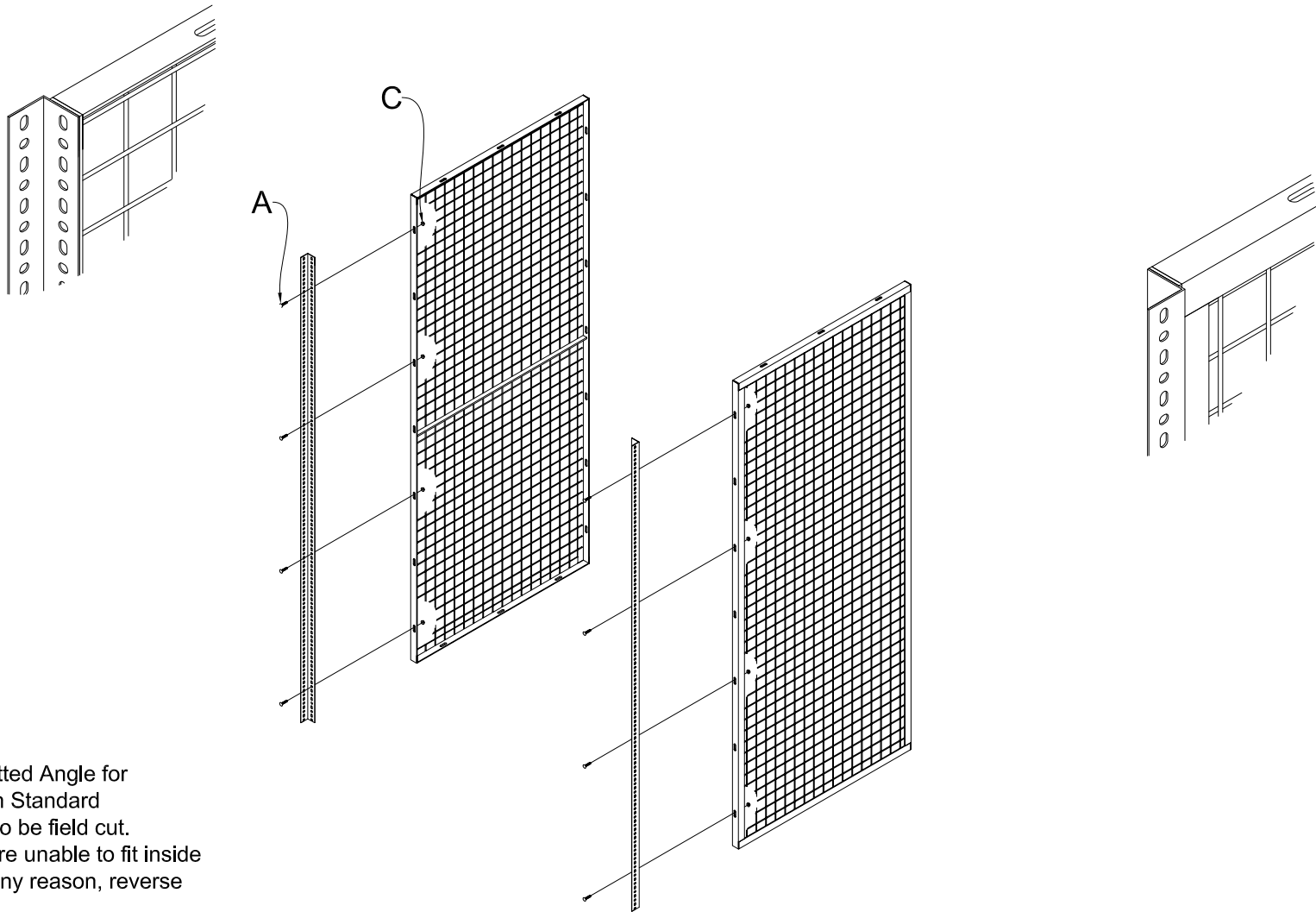
www.BeastWireMesh.com

Page 4

Standard Installation Details
Updated 5/31/2016

SIDE PANELS

1. Using A & C bolt Slotted Angle to Panel.
Verify that Slotted Angle is bolted to panel
correctly. Only 4 Bolts required per panel.



Note:

-6', 7', & 8' Sticks of Slotted Angle for associated Panels. Non Standard requirements will need to be field cut.
-If Carriage shoulders are unable to fit inside Slotted Angle slots for any reason, reverse direction of bolting.

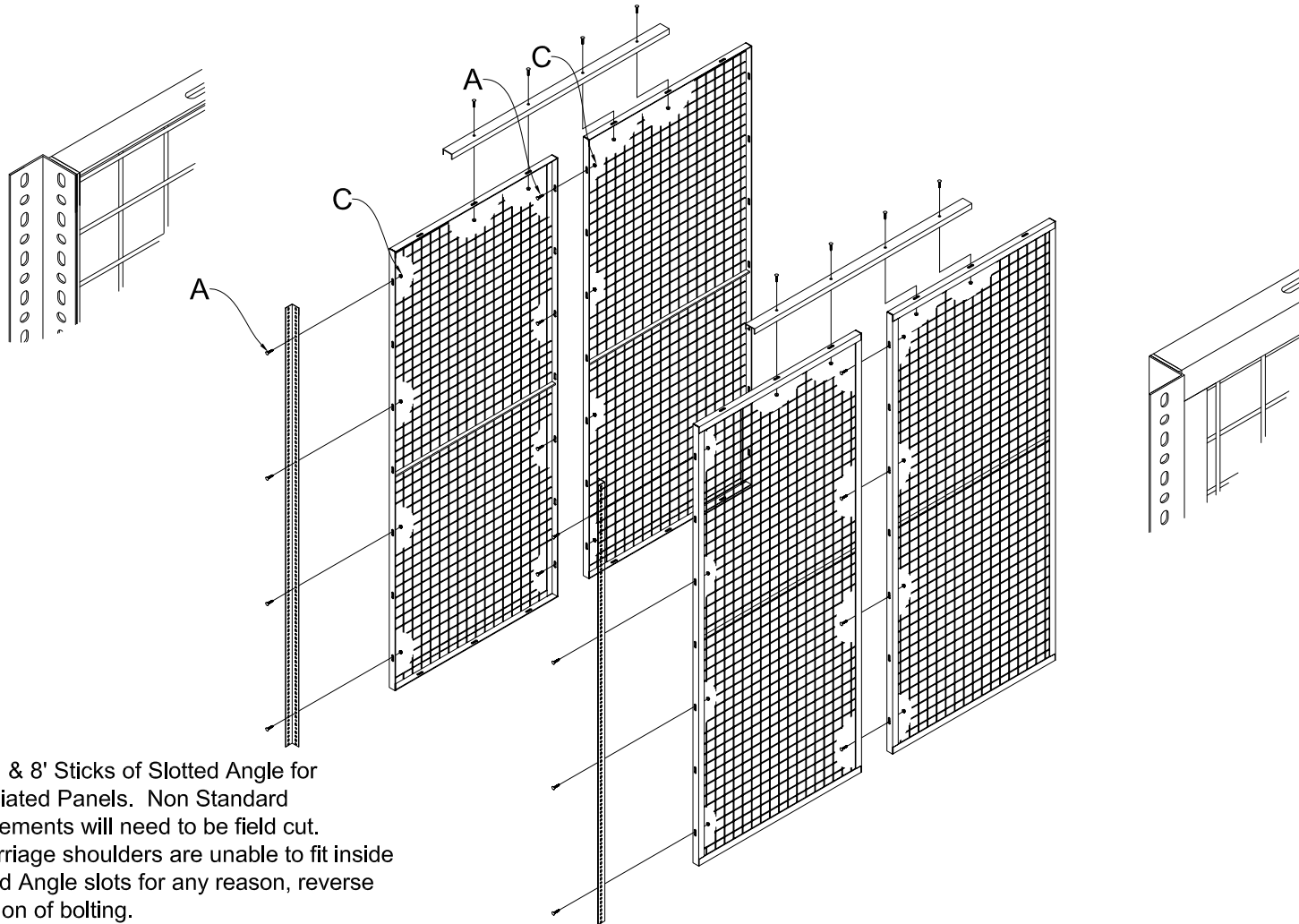
BeastWire Mesh Lockers

Manufactured by SpaceGuard Products
Call (800) 841-0680, Mon-Fri 8am-5pm ET

www.BeastWireMesh.com

SIDE PANELS - GREATER THAN 5' DEPTH

1. Using A & C bolt Slotted Angle to Panel. Verify that Slotted Angle is bolted to panel correctly. Only 4 Bolts required per panel.
2. Bolt Panel to panel using A & C.
3. Bolt Splice Channel to tops of panels. (Not provided when ceiling angle used.)



Note:

-6', 7', & 8' Sticks of Slotted Angle for associated Panels. Non Standard requirements will need to be field cut.
-If Carriage shoulders are unable to fit inside Slotted Angle slots for any reason, reverse direction of bolting.

BeastWire Mesh Lockers

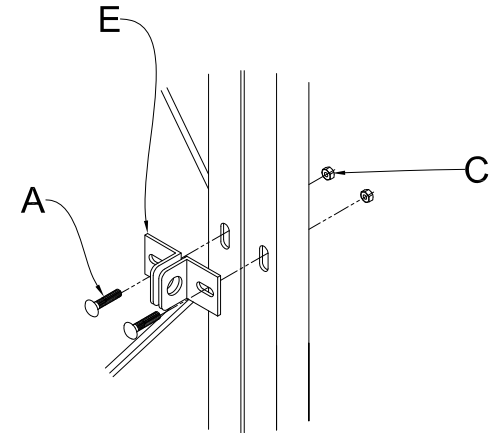
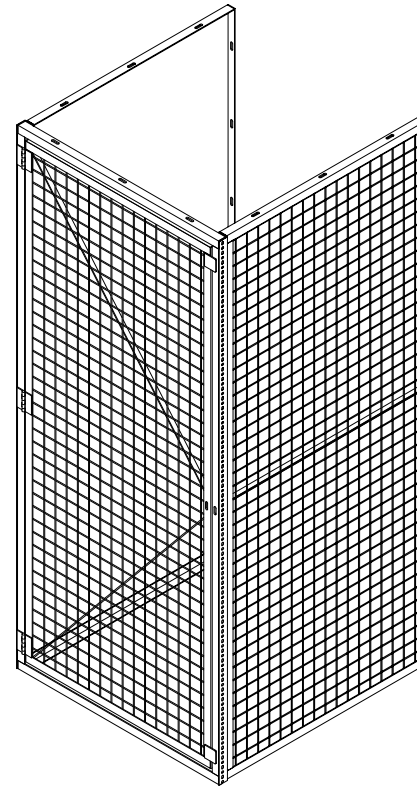
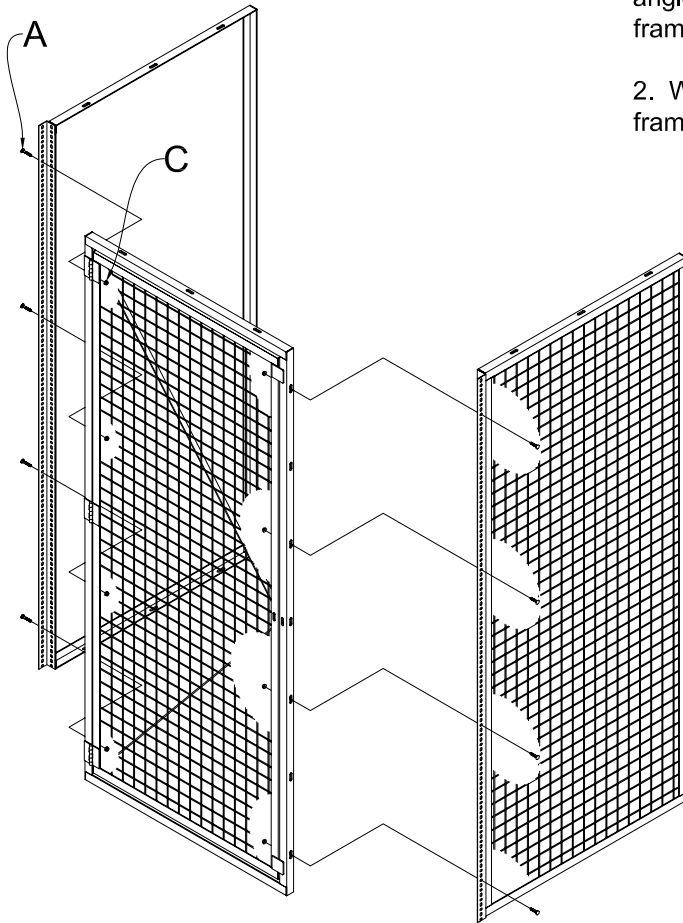
Manufactured by SpaceGuard Products
Call (800) 841-0680, Mon-Fri 8am-5pm ET

www.BeastWireMesh.com

SINGLE TIER FULL HEIGHT LOCKER

1. Bolt both locker panels & perimeter angle assembly (Pg. 5) to Sides of door frame using A & C.

2. When complete, Bolt E to door and frame using A & C.



BeastWire Mesh Lockers

Manufactured by SpaceGuard Products
Call (800) 841-0680, Mon-Fri 8am-5pm ET

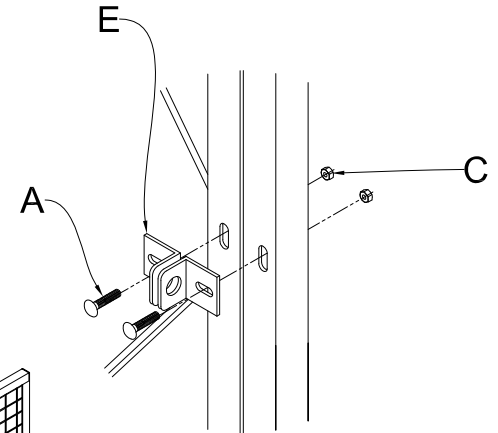
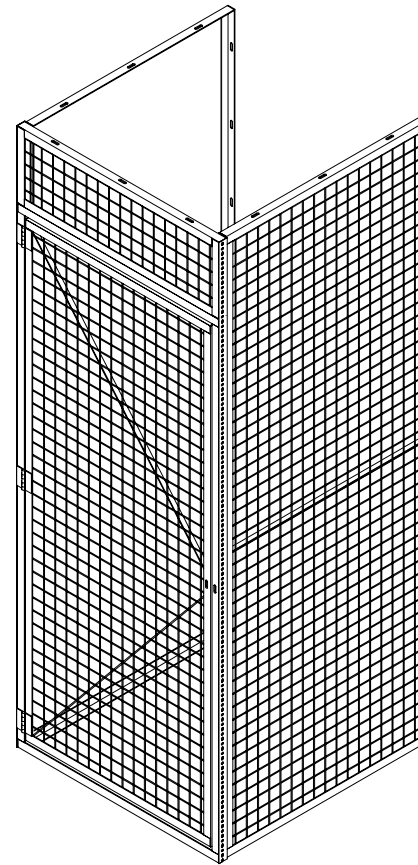
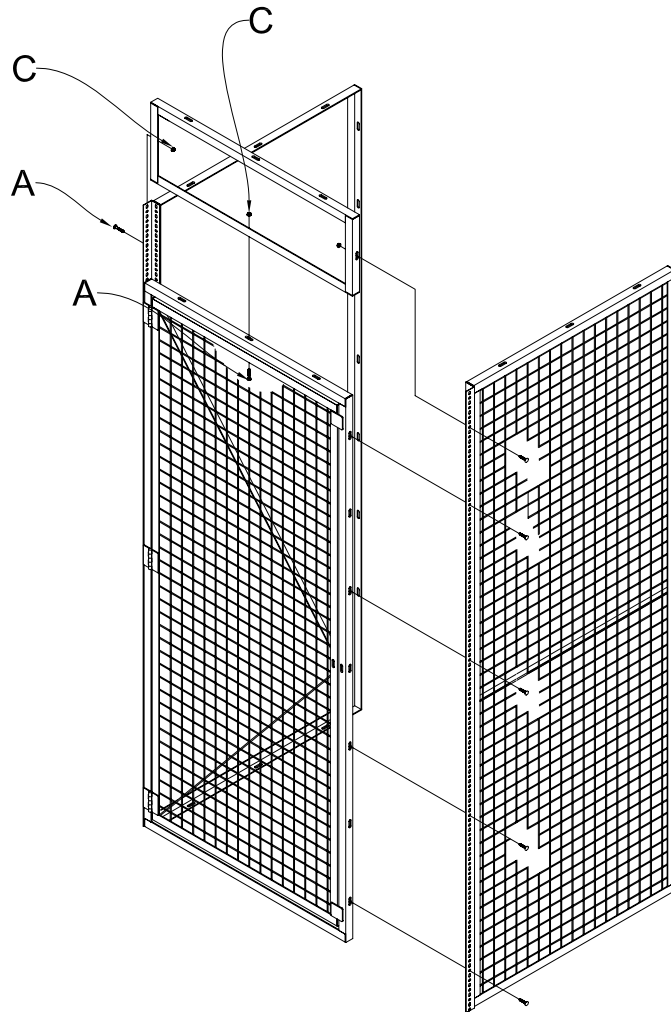
www.BeastWireMesh.com

SINGLE TIER TRANSOM STYLE LOCKER

1. Bolt one locker panel & perimeter angle assembly (Pg. 5) to Side of door frame using A & C.

2. Bolt Transom panel to Top of Door Panel to & to perimeter angle using A & C.

3. Bolt second locker panel & perimeter angle assembly (Pg. 5) to side of door using A & C.



BeastWire Mesh Lockers

Manufactured by SpaceGuard Products
Call (800) 841-0680, Mon-Fri 8am-5pm ET

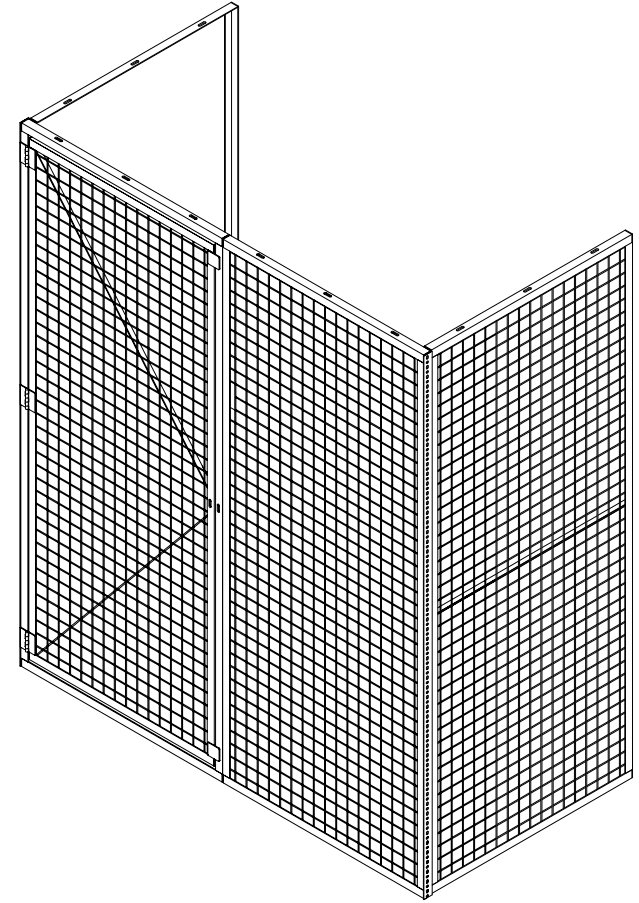
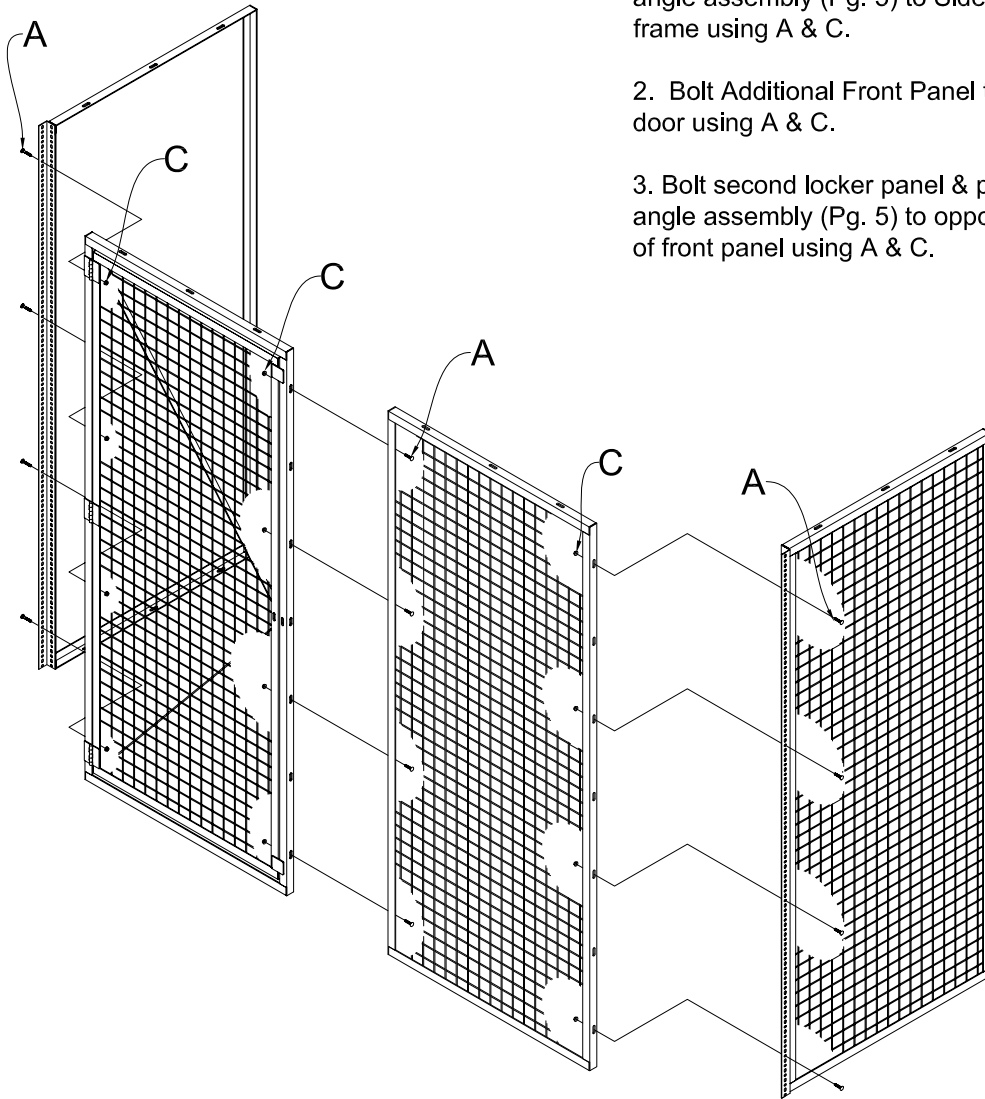
www.BeastWireMesh.com

SINGLE TIER EXTRA WIDE LOCKER

1. Bolt both locker panels & perimeter angle assembly (Pg. 5) to Sides of door frame using A & C.

2. Bolt Additional Front Panel to Side of door using A & C.

3. Bolt second locker panel & perimeter angle assembly (Pg. 5) to opposite side of front panel using A & C.



BeastWire Mesh Lockers

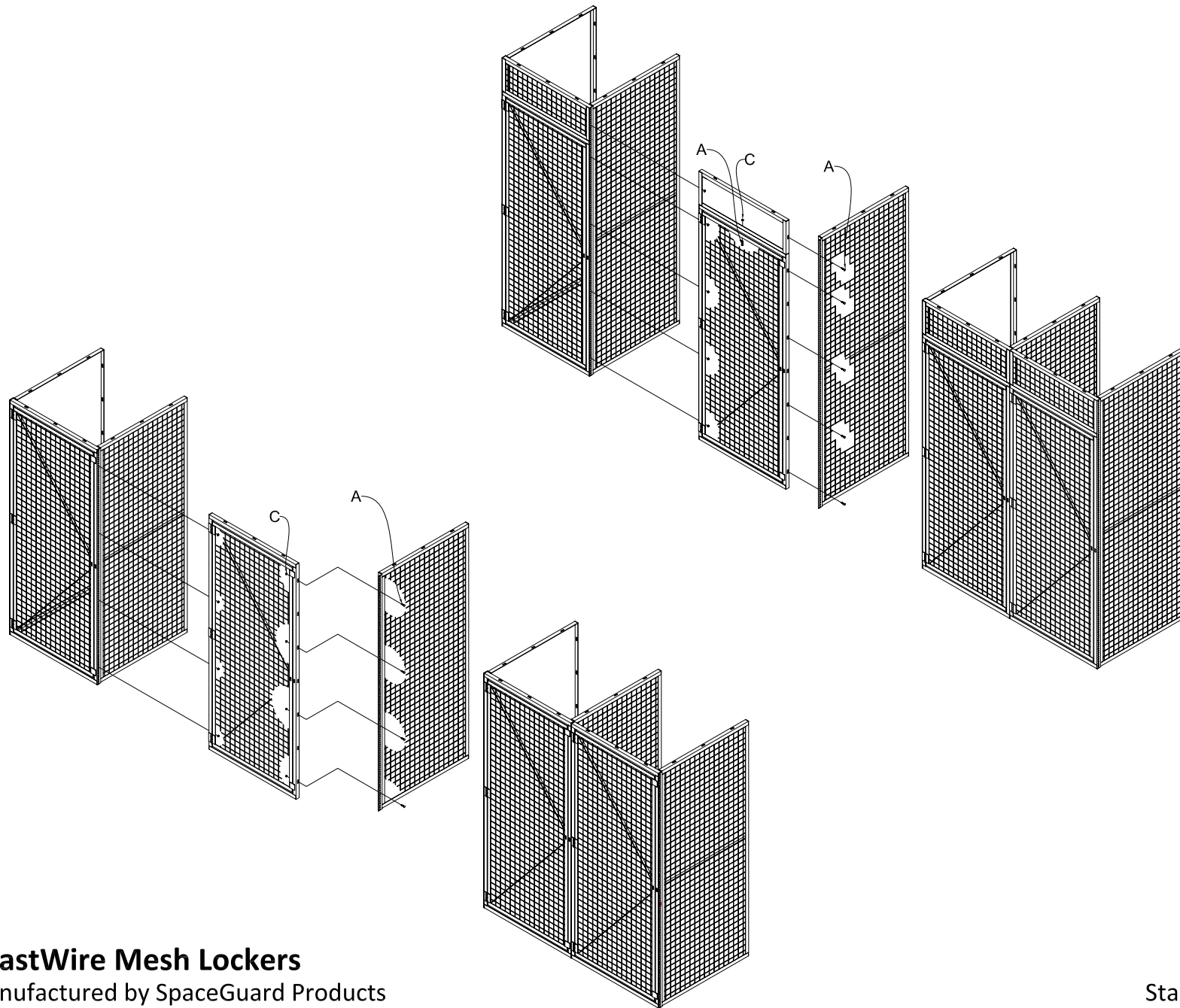
Manufactured by SpaceGuard Products
Call (800) 841-0680, Mon-Fri 8am-5pm ET

www.BeastWireMesh.com

Page 9

Standard Installation Details
Updated 2/18/2016

ADDER UNITS



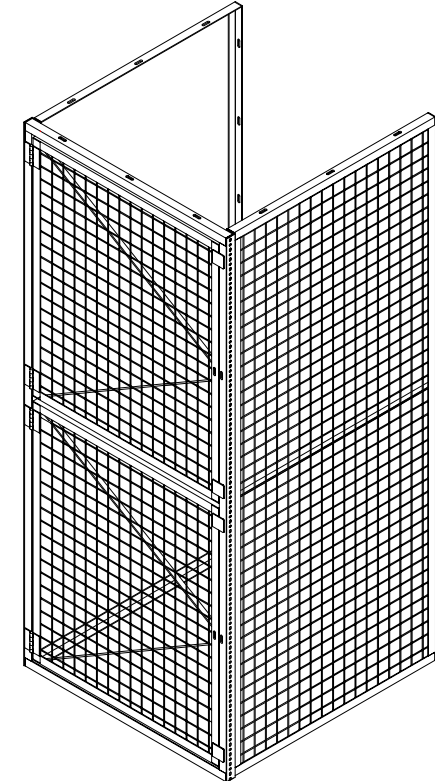
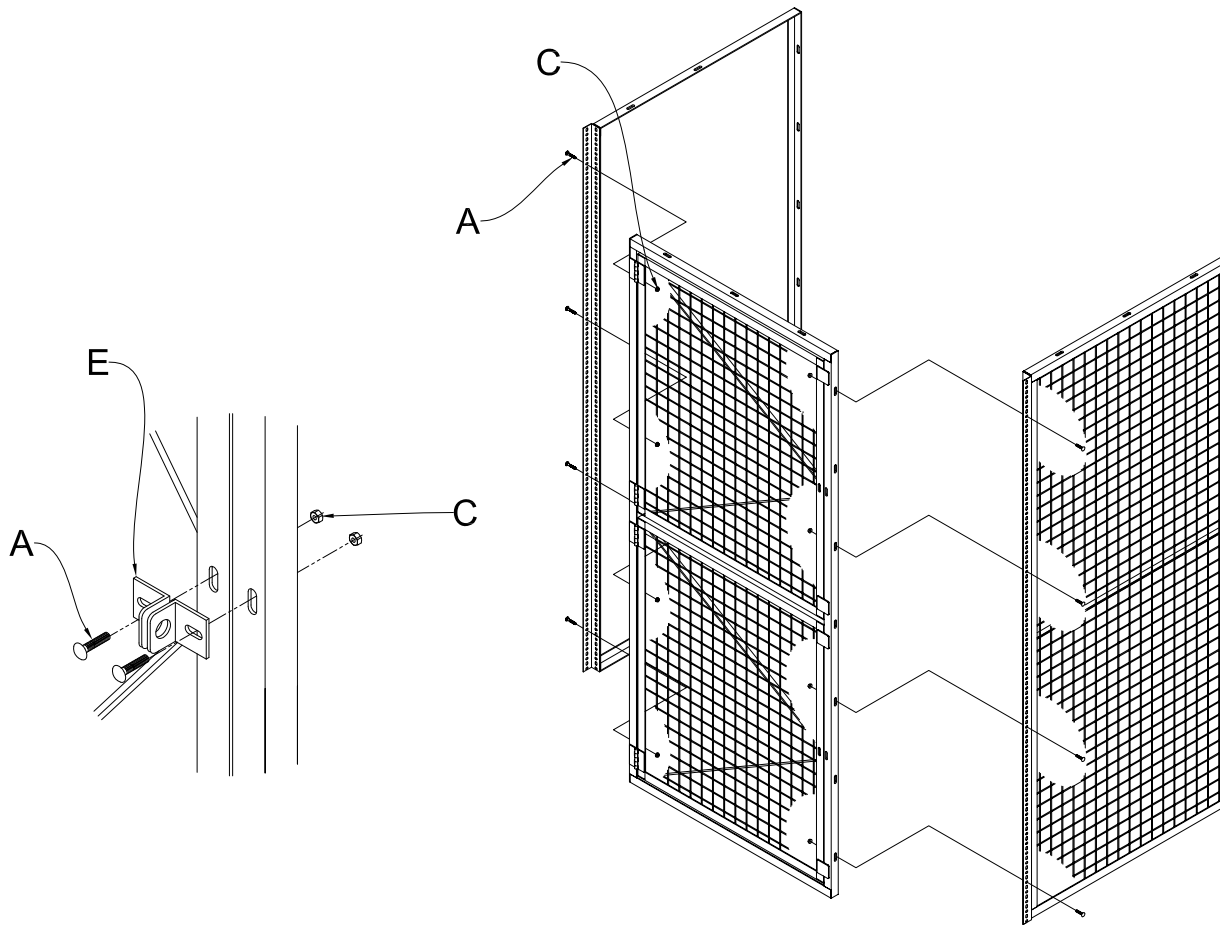
BeastWire Mesh Lockers

Manufactured by SpaceGuard Products
Call (800) 841-0680, Mon-Fri 8am-5pm ET

www.BeastWireMesh.com

DOUBLE TIER LOCKER

1. Bolt both locker panels & perimeter angle assembly (Pg. 5) to Sides of door frame using A & C.
2. When complete, Bolt E to door and frame using A & C.
3. See Pg. 9 for Shelf installation.



BeastWire Mesh Lockers

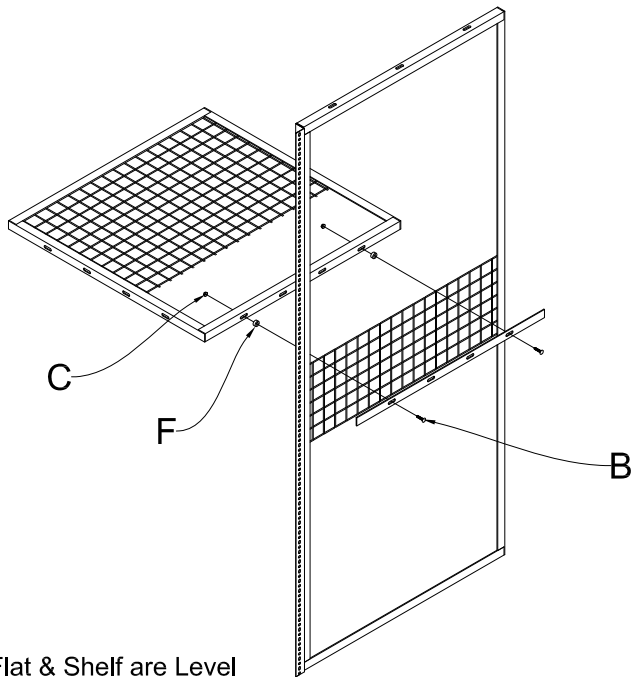
Manufactured by SpaceGuard Products
Call (800) 841-0680, Mon-Fri 8am-5pm ET

www.BeastWireMesh.com

SHELVES (SINGLE & DOUBLE TIER UNITS)

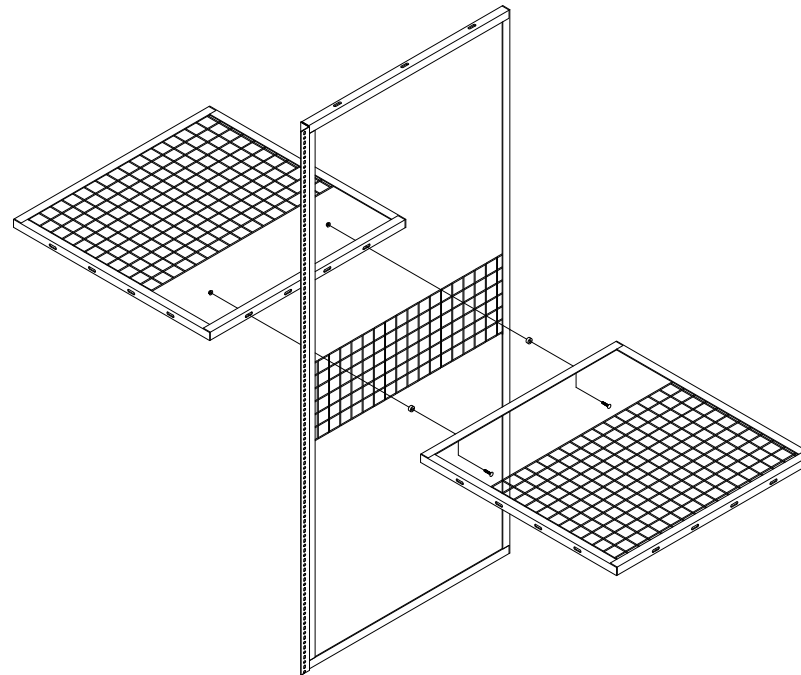
INDEPENDENT WALL-

1. Bolt locker side flat to side of panel through mesh using B & C. Use F spacers where necessary. (Optional: Panel may rest on panel stiffener bar if one exists @ desired shelf height).



SHARED WALLS-

1. Bolt panels together directly through mesh using B & C. Use F spacers where necessary. (Optional: Panel may rest on panel stiffener bar if one exists @ desired shelf height).



NOTE:

- Be sure Flat & Shelf are Level Prior to Bolting.
- Flats only provided for starter units. Use one on each end of locker banks.

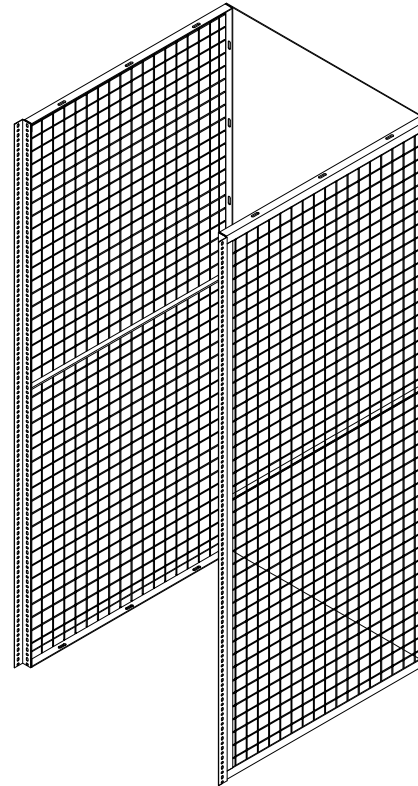
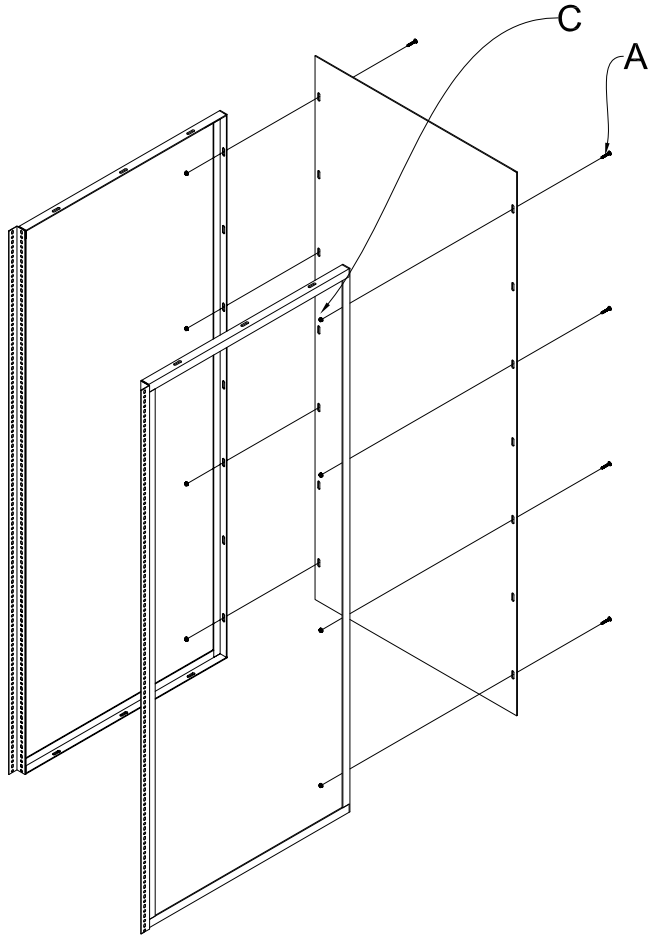
BeastWire Mesh Lockers

Manufactured by SpaceGuard Products
Call (800) 841-0680, Mon-Fri 8am-5pm ET

www.BeastWireMesh.com

SINGLE BACKS (GALVANIZED SHEET METAL)

1. Bolt each side of galvanized back to appropriate side of locker using A & C.



BeastWire Mesh Lockers

Manufactured by SpaceGuard Products
Call (800) 841-0680, Mon-Fri 8am-5pm ET

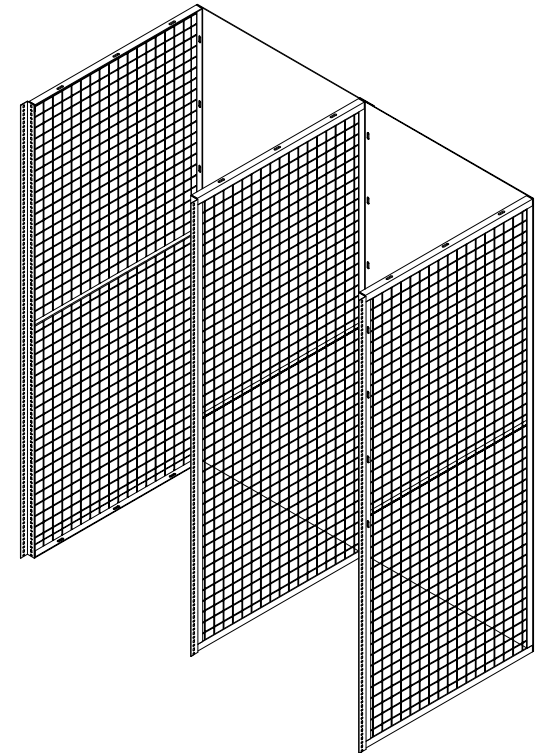
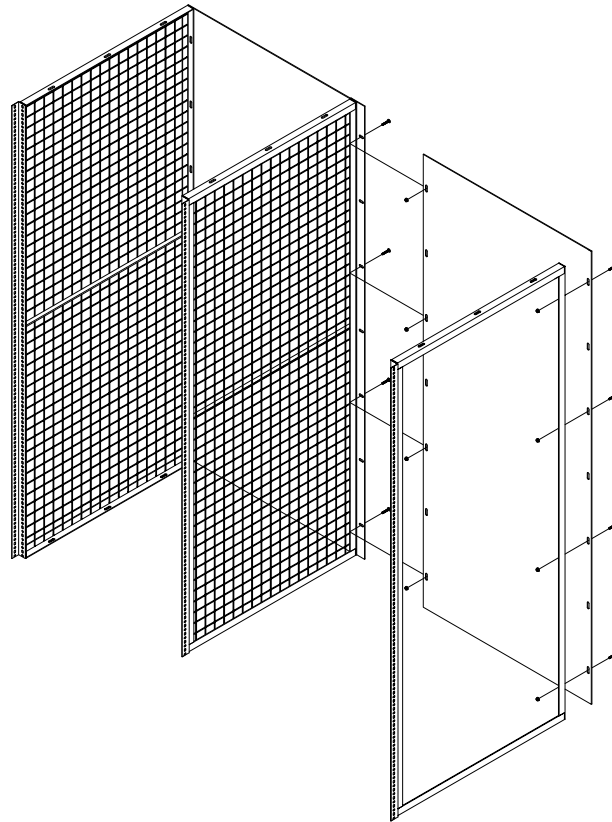
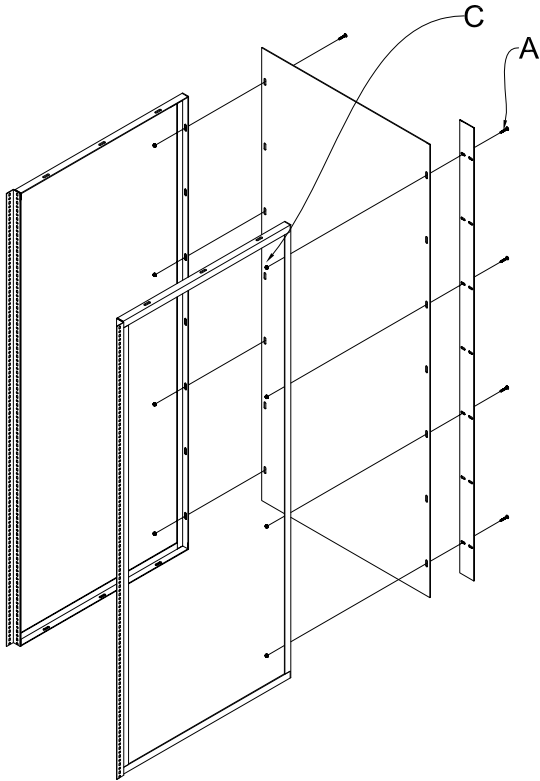
www.BeastWireMesh.com

Page 13

Standard Installation Details
Updated 2/18/2016

ADDER BACKS (GALVANIZED SHEET METAL)

1. Bolt one side of galvanized back to appropriate side of locker using A & C.
2. Bolt Locker splice plate, Back, and opposite panel together using A & C.
(Splice plates only required on Adder Unit backs.)
3. Repeat Step 2 until last unit is reached. When last unit is reached, repeat step 1 for appropriate side of locker back.



BeastWire Mesh Lockers

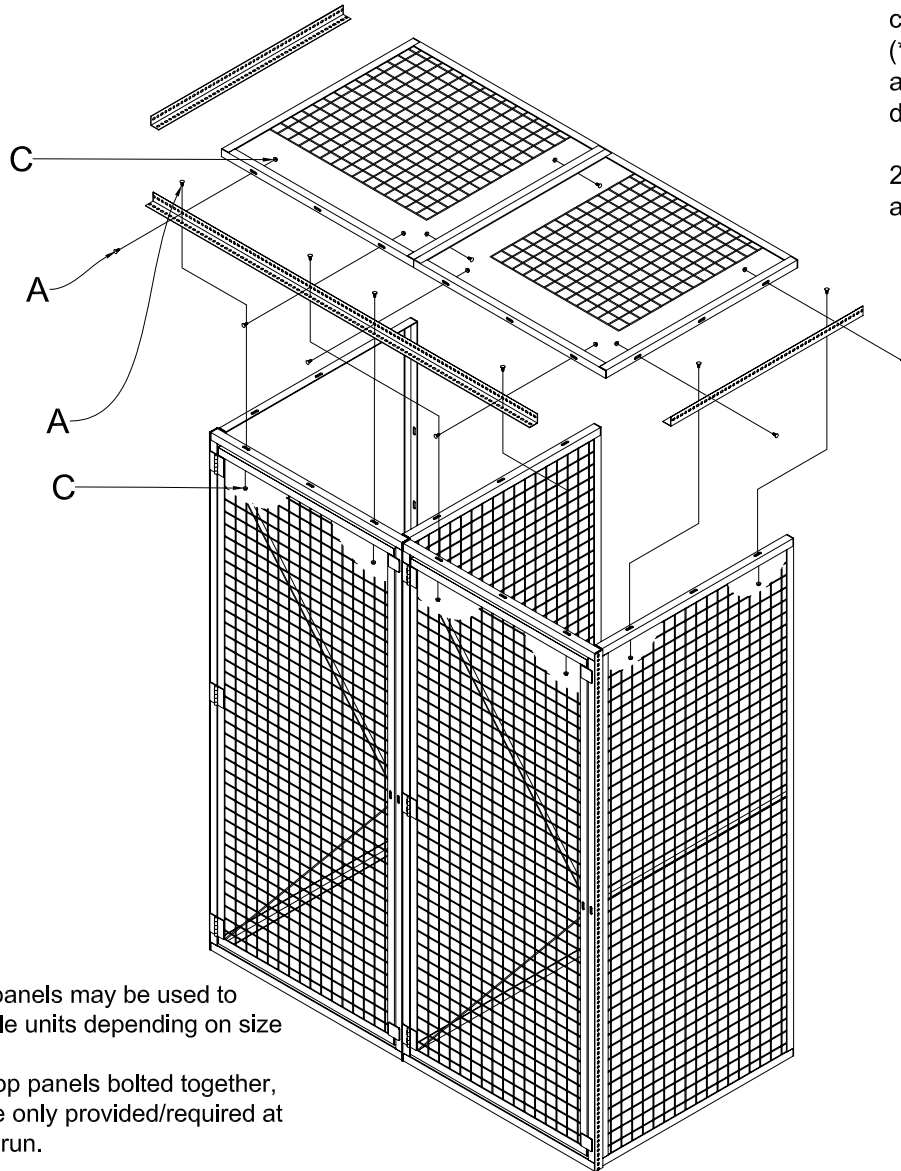
Manufactured by SpaceGuard Products
Call (800) 841-0680, Mon-Fri 8am-5pm ET

www.BeastWireMesh.com

Page 14

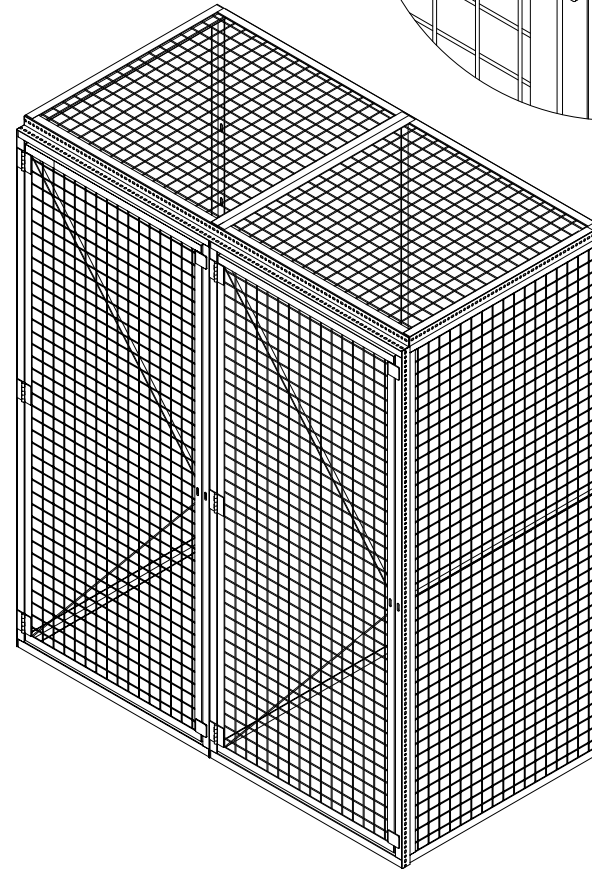
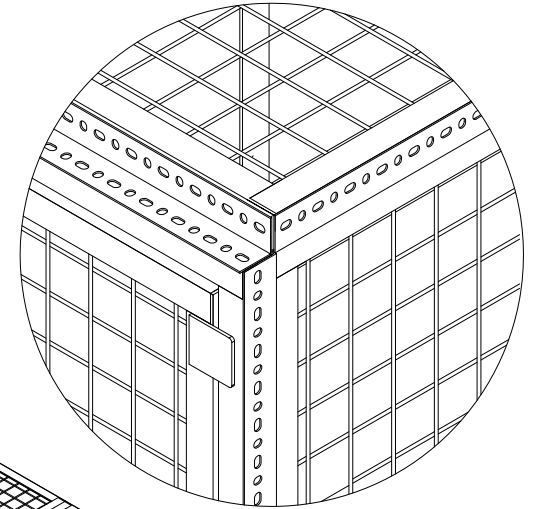
Standard Installation Details
Updated 2/18/2016

TYPICAL CEILING APPLICATION



1. Bolt perimeter angle to the complete exterior of locker units (**Note that orientation of perimeter angle on front of locker unit is different.) using A & C.

2. Bolt ceiling panels to perimeter angle using A & C.



NOTE:

- Single top panels may be used to cover multiple units depending on size and layout.
- If multiple top panels bolted together, slotted angle only provided/required at end of each run.

BeastWire Mesh Lockers

Manufactured by SpaceGuard Products
Call (800) 841-0680, Mon-Fri 8am-5pm ET

www.BeastWireMesh.com

This guide covers basic installations using stocked items only.

Your particular enclosure may not be covered by details contained within this guide and may require field modifications not described. If you have questions regarding your particular installation, please locate the order number on your packing list and call the phone number below to speak with a customer service representative.

THANK YOU FOR CHOOSING BEASTWIRE MESH LOCKERS!

BeastWire Mesh Lockers

Manufactured by SpaceGuard Products
Call (800) 841-0680, Mon-Fri 8am-5pm ET

www.BeastWireMesh.com

Page 16

Standard Installation Details
Updated 2/18/2016